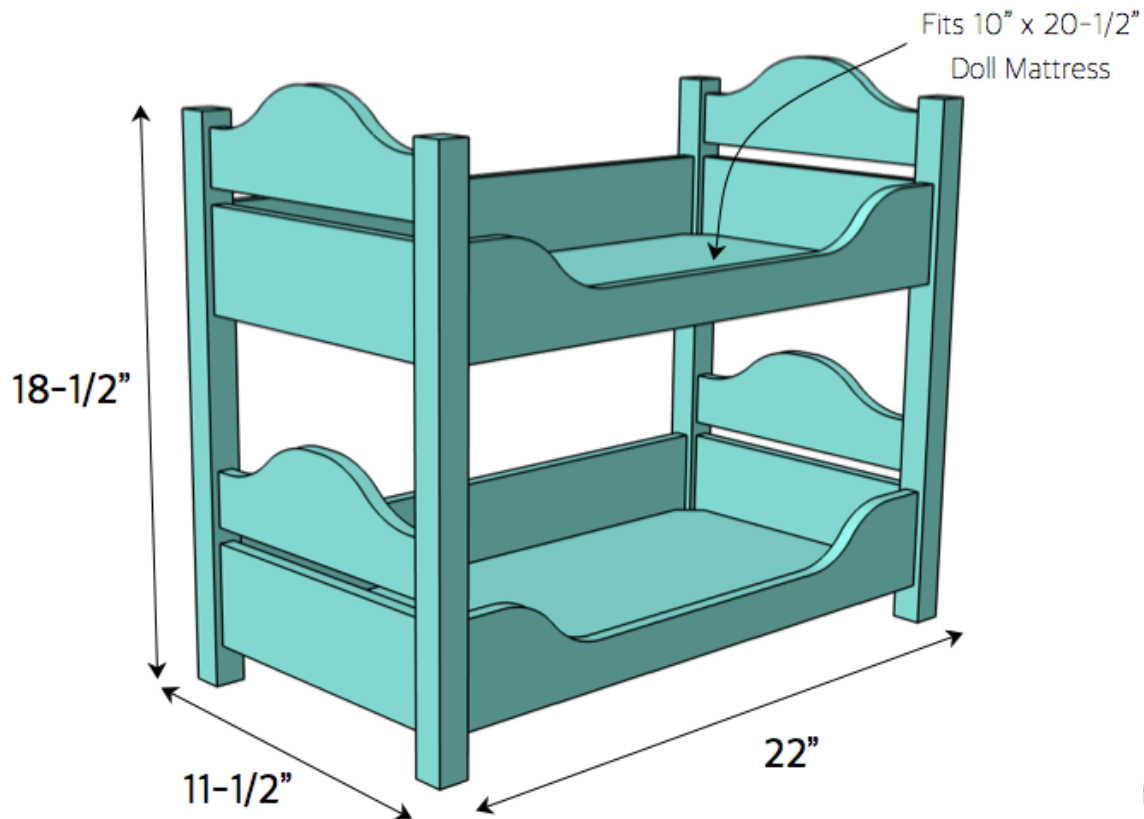


18" DOLL BUNK BEDS

BUILD TIME = 1 DAY | EST. COST TO BUILD = \$20 | SKILL LEVEL = BEGINNER



REQUIRED TOOLS

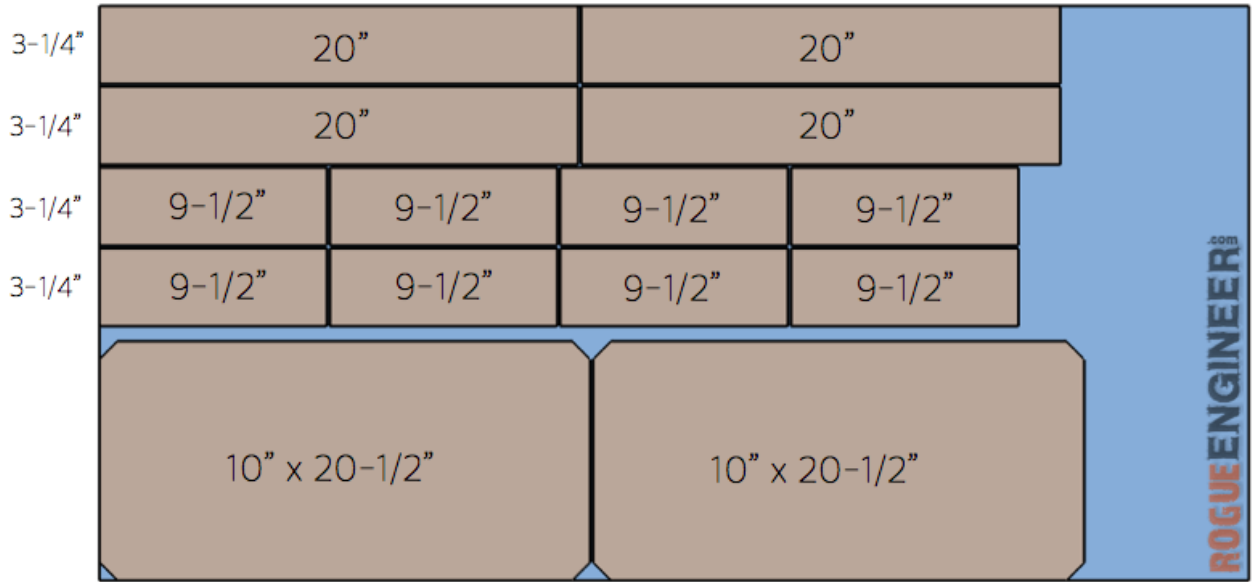
- Circular Saw OR Table Saw
- Jig Saw OR Band Saw
- Brad Nailer
- Tape Measure
- Pencil
- Safety Glasses
- Hearing Protection

MATERIALS

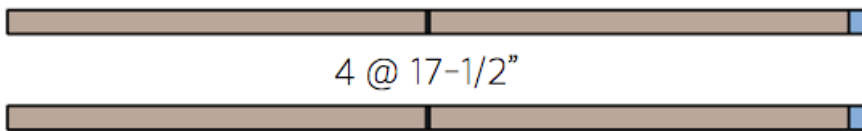
- 1/2" x 2' x 4' Plywood
- Qty 2 - 1" x 1" x 36" Square Dowels
- 1-1/2" Brad Nails
- Wood Glue

CUT LIST

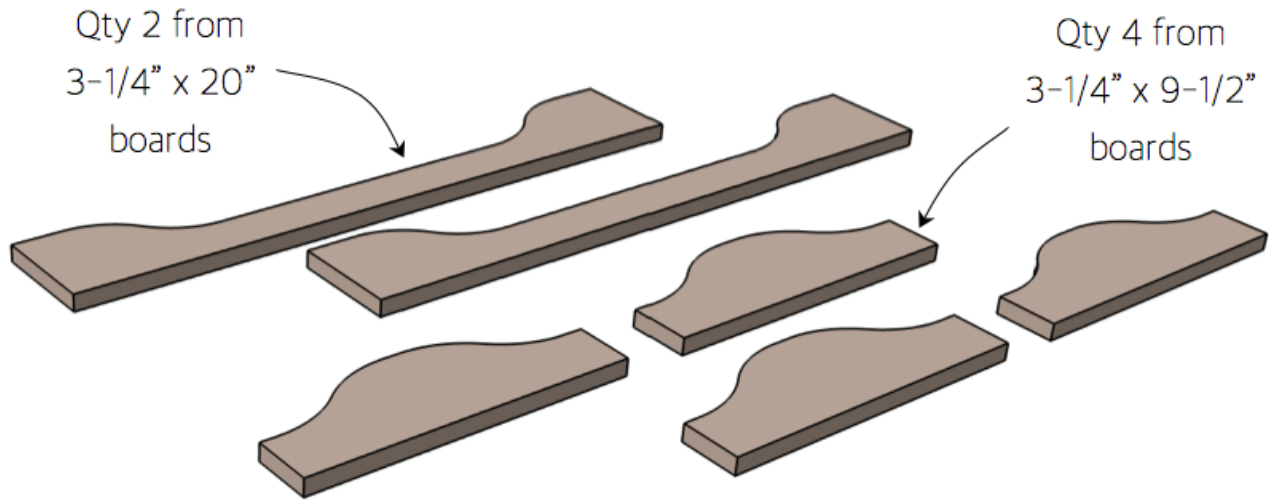
1/2" x 2' x 4' Plywood



1" x 1" x 36" Square Dowels (Qty 2)



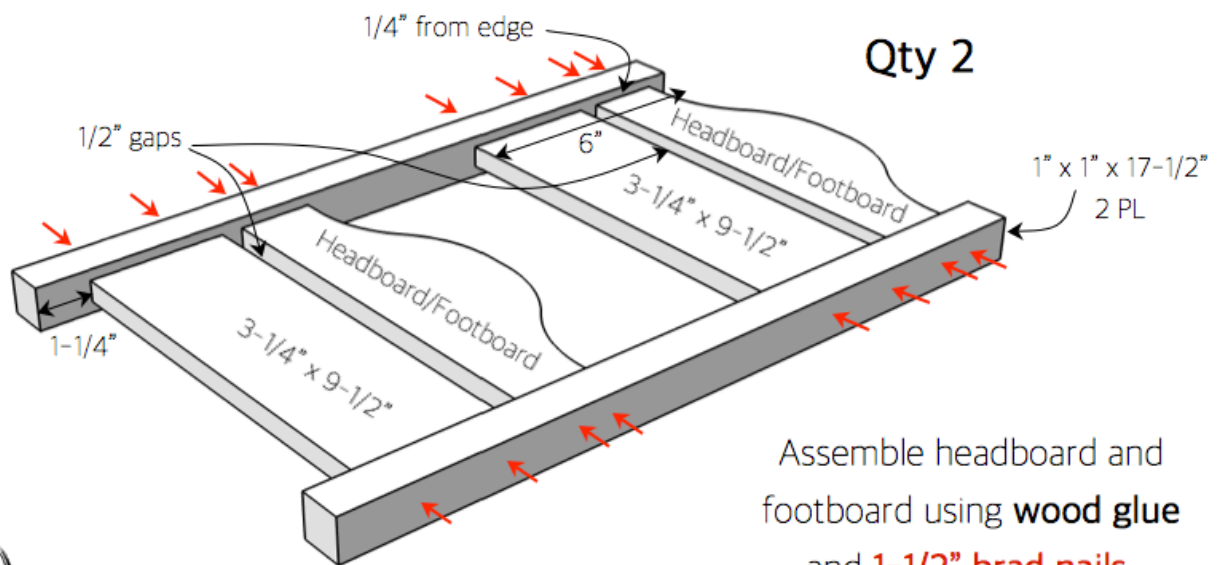
Step 1: Cut Out Details



Using the templates supplied with these plans, adhere them to the boards with spray adhesive and cut out the details using a band saw or jig saw.



Step 2: Headboard / Footboard

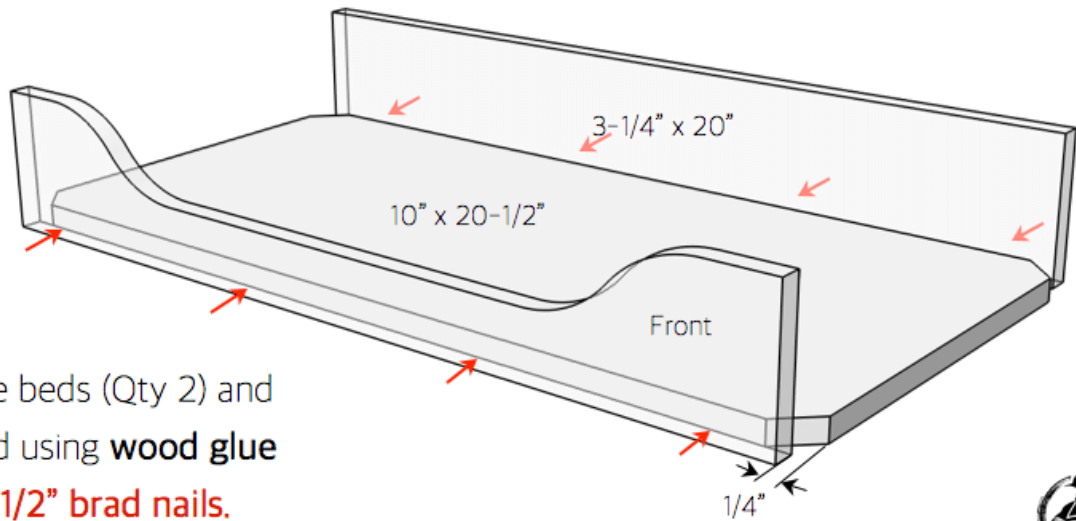


Assemble headboard and footboard using **wood glue** and **1-1/2\"/>**



Step 3: Assemble Beds

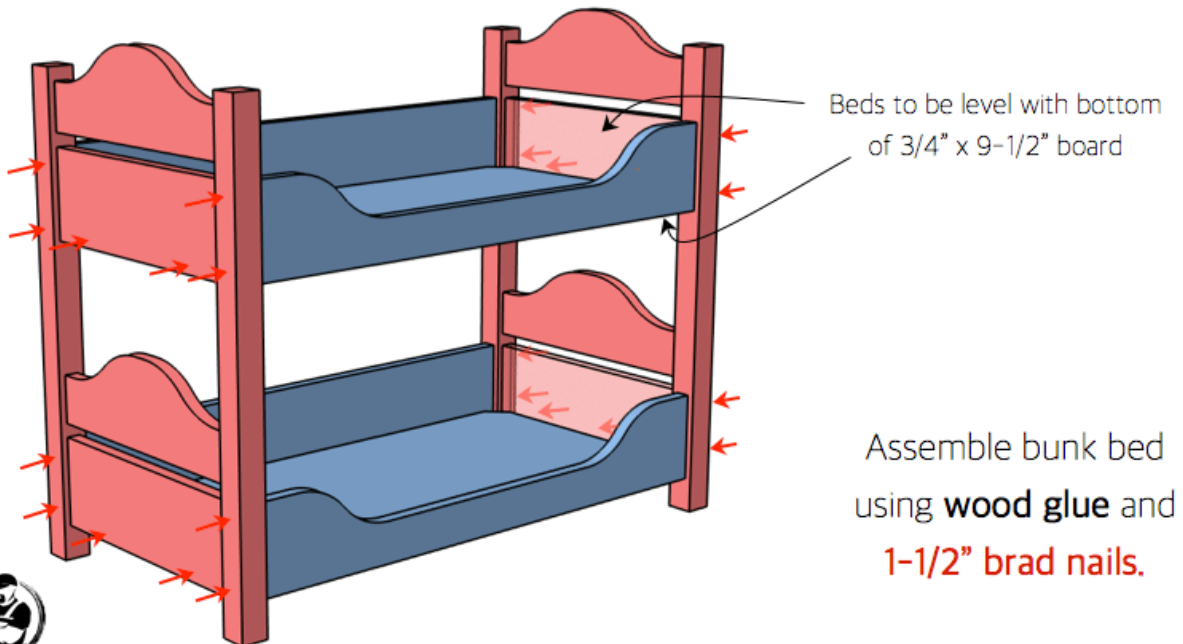
Qty 2



Assemble beds (Qty 2) and footboard using **wood glue** and **1-1/2'' brad nails**.



Step 4: Final Assembly



Assemble bunk bed using **wood glue** and **1-1/2'' brad nails**.



Front RHS

Front LHS

Headboard / Footboard

