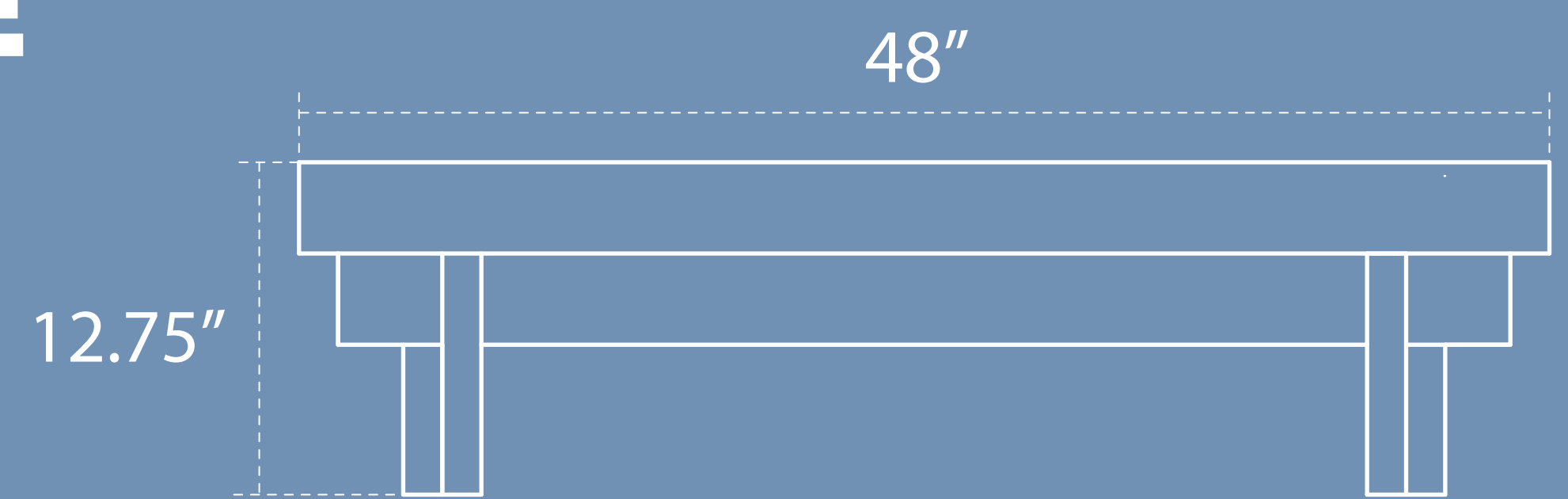


DIY CONCRETE COFFEE TABLE

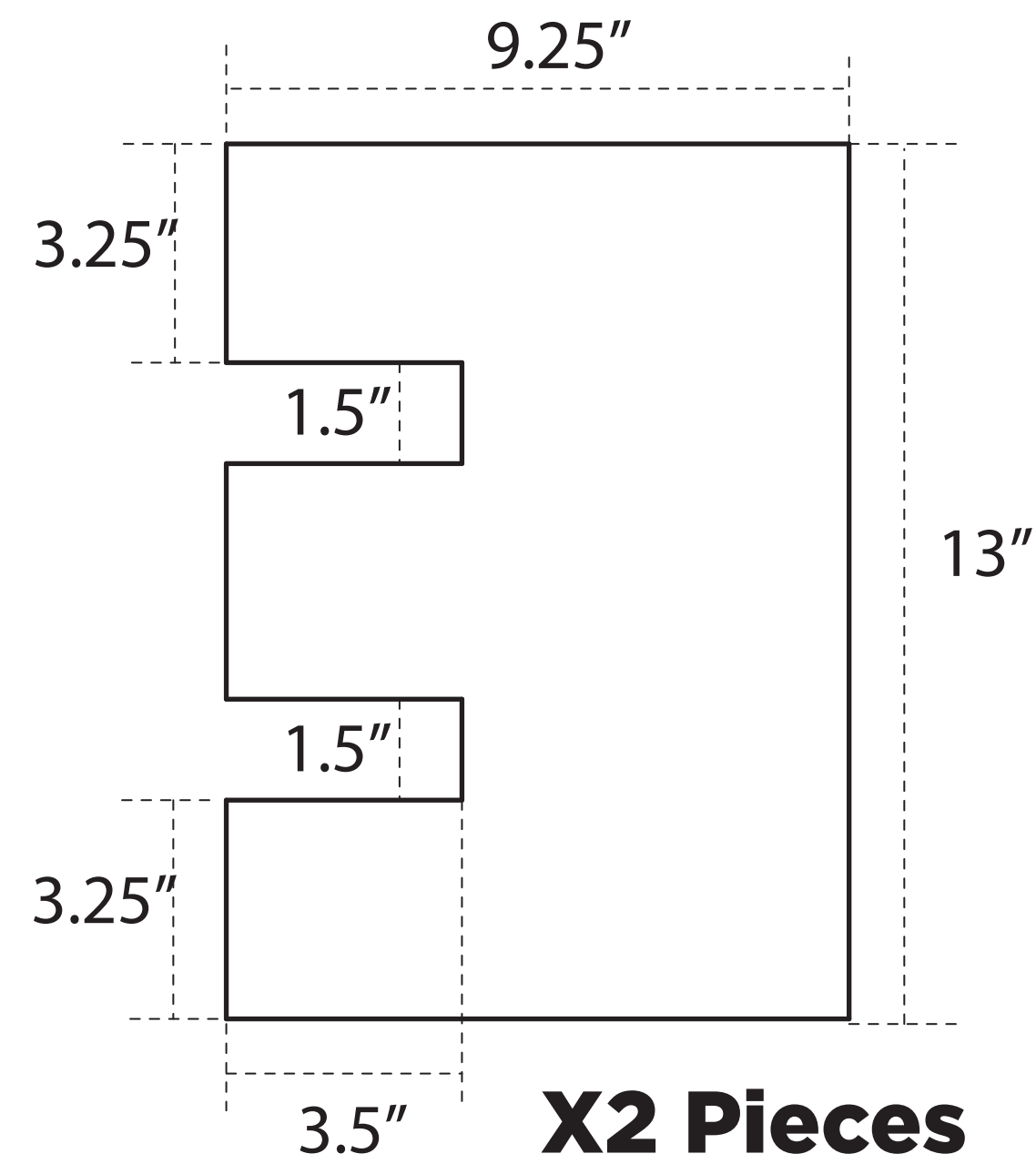
By Ben Uyeda of HomeMade-Modern.com

A modern DIY Coffee table made from Quikrete 5000, 2x4s, and a 2x10.
Go to the HomeMade Modern YouTube channel to watch Ben make this table!



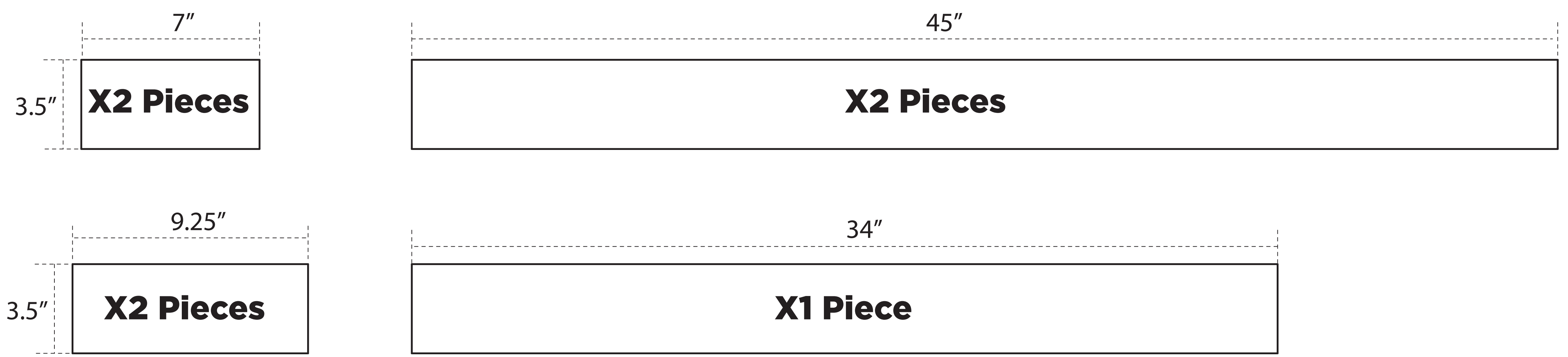
STEP 1. CUT THE 2X10

I used my circular saw and my jig saw to cut two pieces of 2x10 that will serve as the legs for the table.



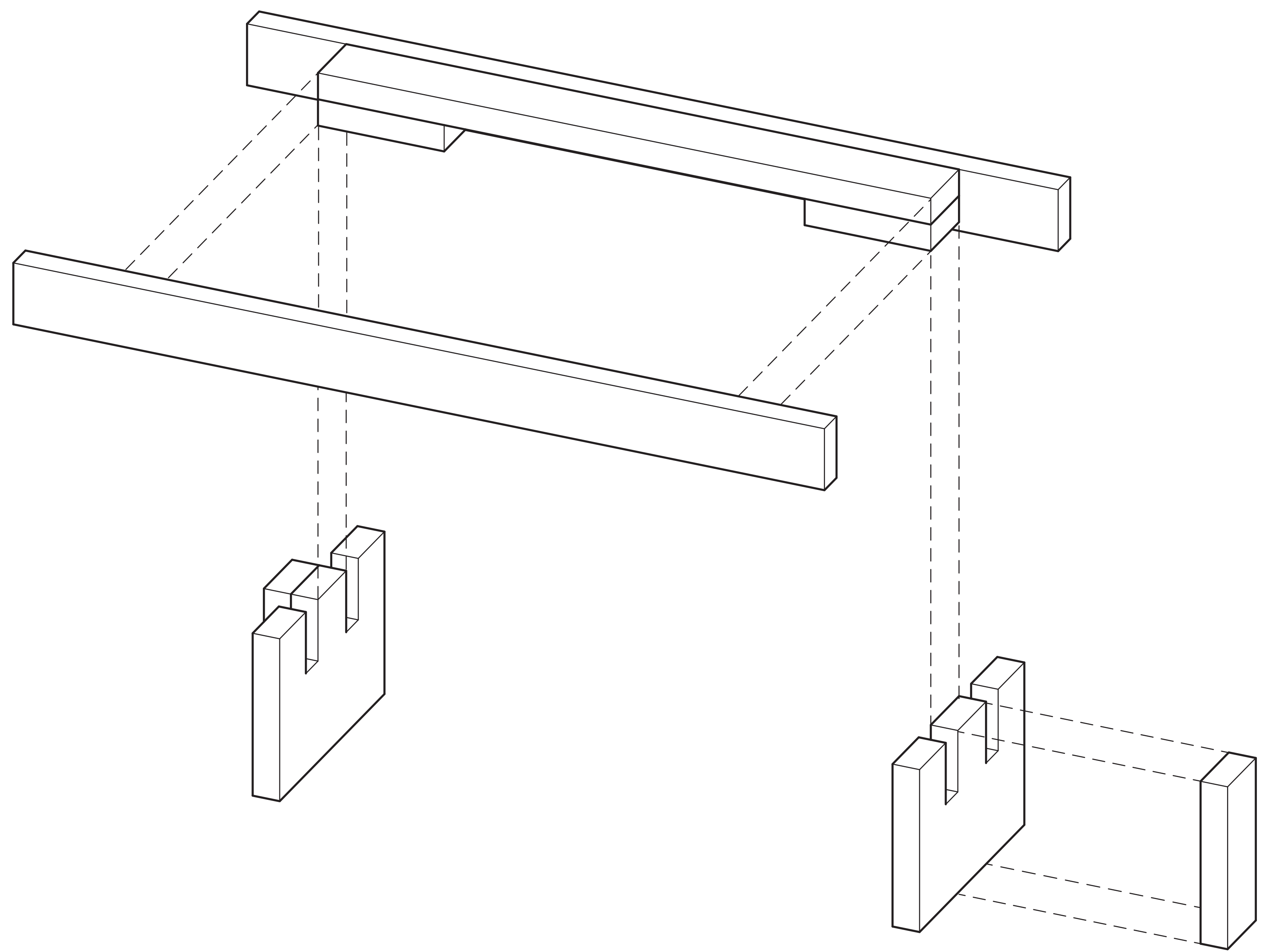
STEP 2. CUT THE 2X4S

I cut pieces of 2x4s that will serve as the supports for the table top.



STEP 3. ASSEMBLE

I used 2.5" long finish screws to assemble the base. I covered the screw heads with wood putty and then sanded the putty smooth once it had dried.



STEP 4. ADD CONCRETE TOP AND STAIN

I made a 3.5" thick concrete table top with a plywood core out of QUIKRETE 5000 and 3/4" thick plywood. I stained the base with a grey wood stain before placing the concrete top on the base. You can see how i made the concrete table top on the HomeMade Modern YouTube channel.

