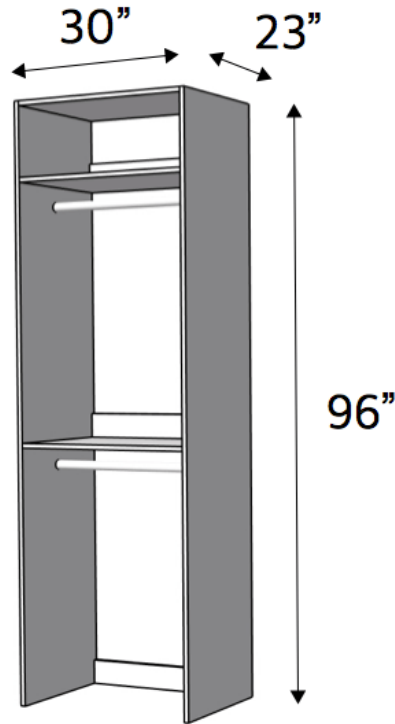


DOUBLE HANGING CLOSET

BUILD TIME = 1 DAY | EST. COST TO BUILD = \$100 | SKILL LEVEL = BEGINNER



REQUIRED TOOLS

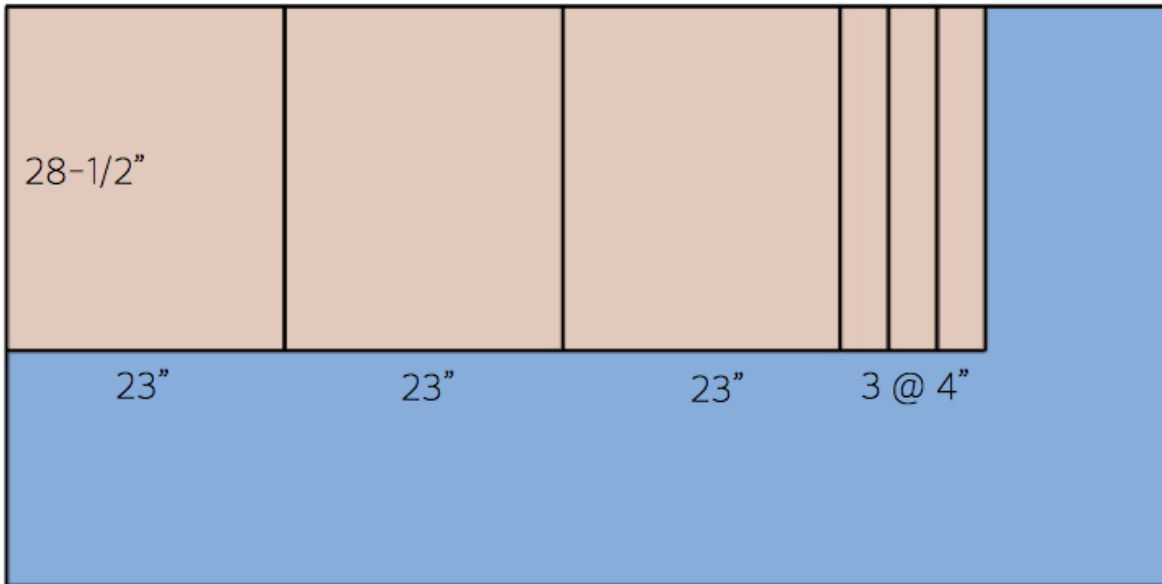
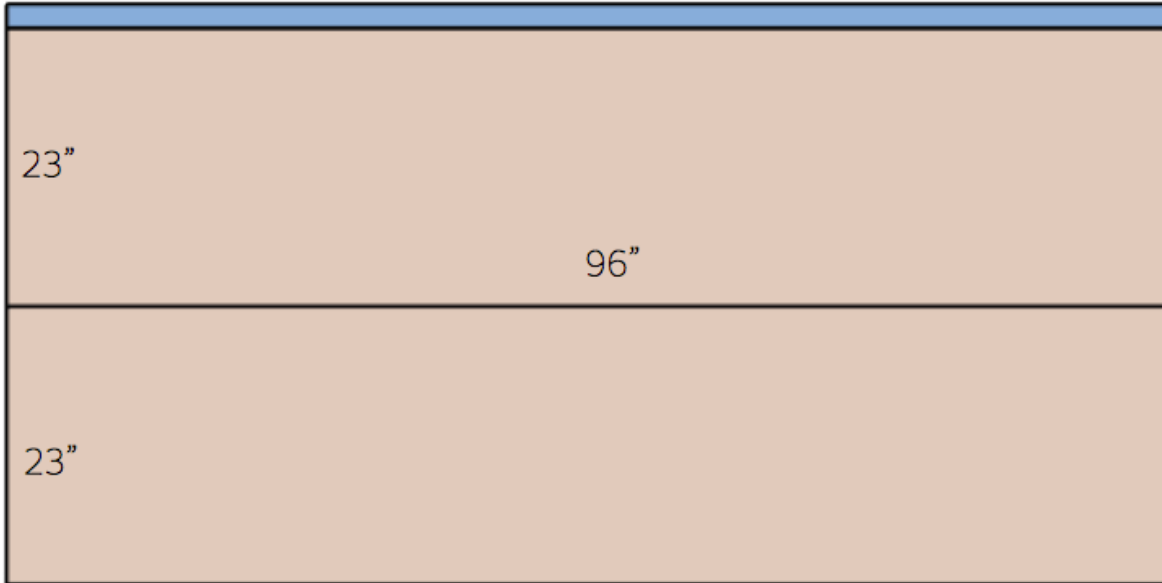
- Drill / Driver
- Circular Saw &/or Table Saw
- Speed Square
- Brad Nailer (Optional)
 - To hold box in place during assembly
- Tape Measure
- Pencil
- Safety Glasses
- Hearing Protection

MATERIALS

- Qty 2 - 3/4" x 4' x 8' MDF or Plywood
- Qty 2 - 28-1/2" Closet Rod
 - Or 1-1/4" Wood Dowel
- 1-1/2" Trim Screws
- 3" Wood Screws
- 1-1/2" Brad Nails (optional)
- Wood Glue (optional)
- Wood Filler

CUT LIST

3/4" x 4' x 8' MDF (Qty 2)

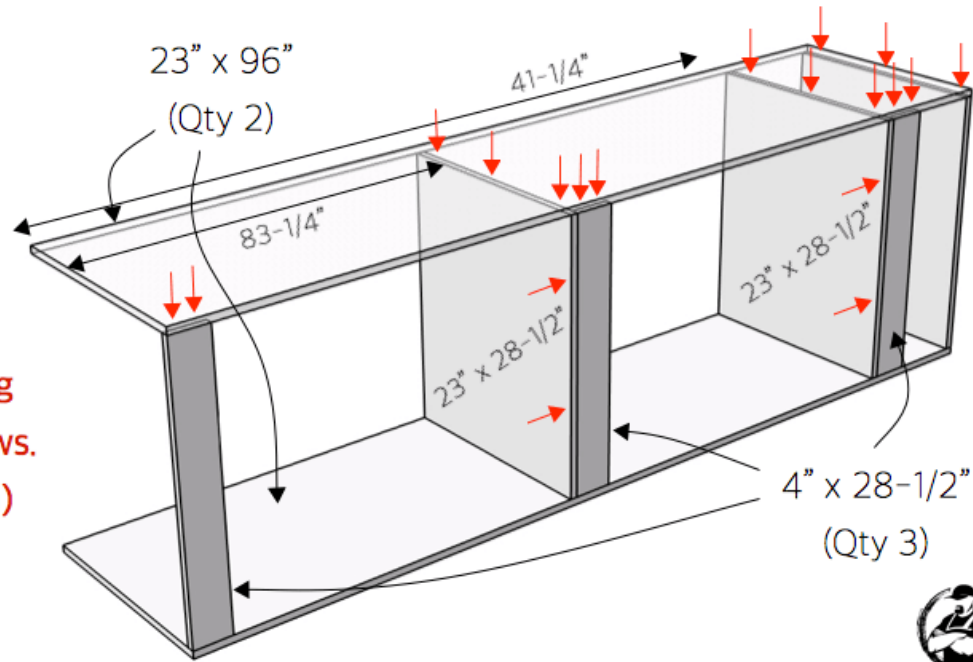


28-1/2" Closet Rod or 1-1/4" Dowel (Qty 2)



Assembly Instructions

Pre-drill and assemble using 1-1/2" trim screws. (Not all shown)



Installation

Locate the wall studs using a stud finder. Then, using a level, make sure the front and sides of the unit are plumb and secure the unit to the wall using at least **3" wood screws.**

Then, install the **28-1/2" closet rods or 1-1/4" wood dowels** as shown using closet pole sockets

