

## HANGING FLORAL BOX DIMENSIONS

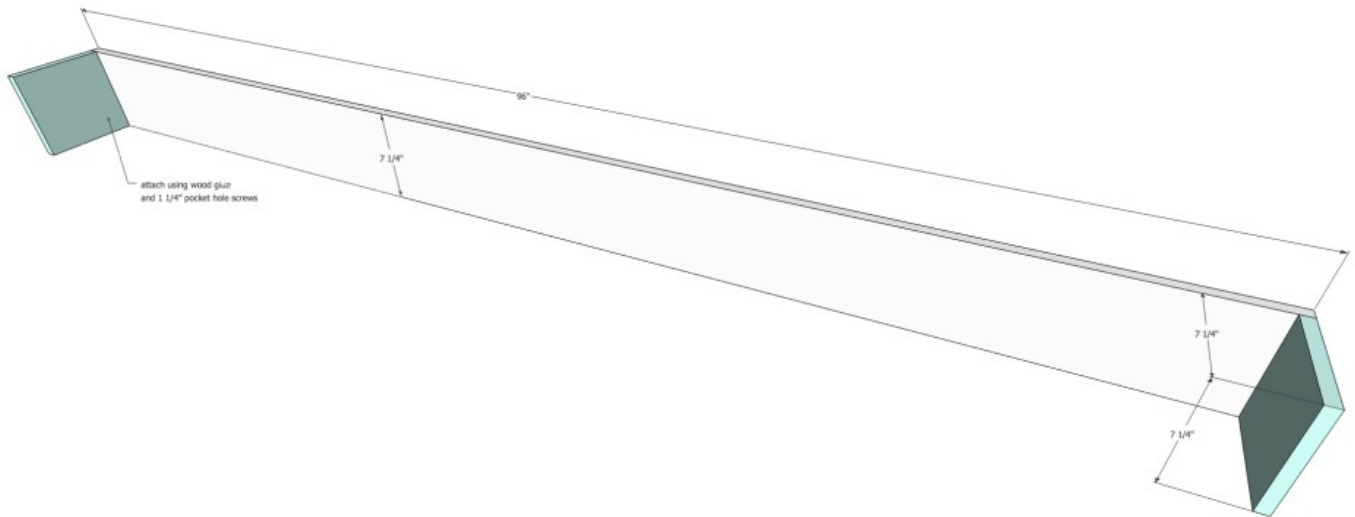
JAIMECOSTIGLIO.COM

### Supplies:

- 1 – 1x8x10 board
- 2 – 1x8x8 boards
- 1 – 1x3x6 board
- 1 – 1x2x6 board
- 30' – 1/2' x 3/4" square moulding
- 3 – U bolt with nuts and straps
- 1 – handy panel peg board
- Wood glue
- 1 1/4" pocket hole screws
- 1 1/4" finish nails
- 2" wood screws

## Cut List:

- 2 – 1x8 @ 96" (front and back)
- 1 – 1x8 @ 94 ½" (top cover)
- 2 – 1x8 @ 7 ¼" (ends)
- 3 – 1x3 @ 7 ¼" (top ribs)
- 2 – 1x2 @ 7 ¼" (bottom ribs)
- 4 – ½" x ¾" flat moulding @ 42 ½" (top cleats)
- 4 – ½" x ¾" flat moulding @ 28 ½" (bottom side cleats)
- 2 – ½" x ¾" flat moulding @ 34 ½" (bottom center cleats)
- 5 – pegboard pieces cut at 7"w x 18"l

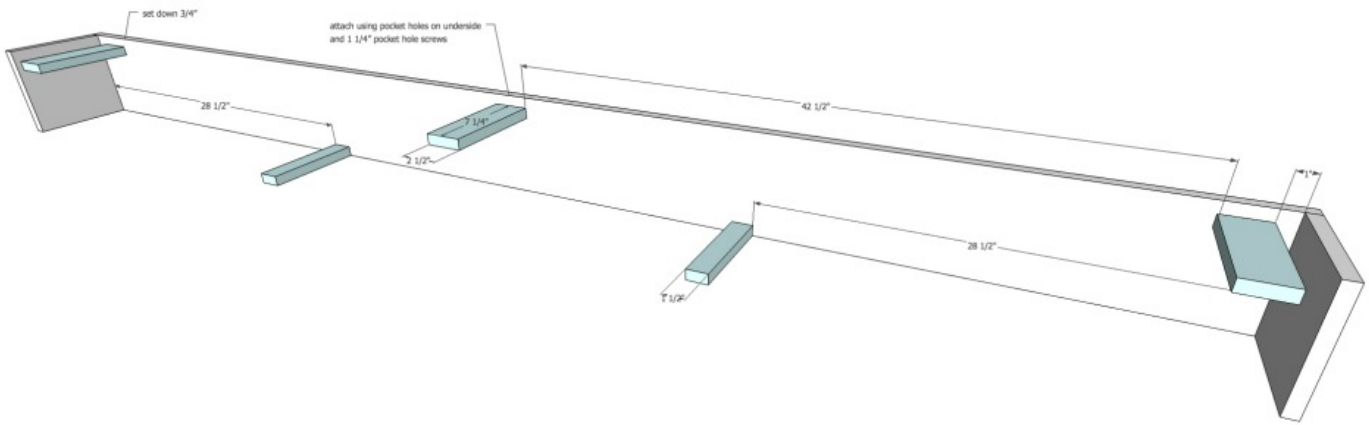


## HANGING FLORAL BOX

### STEP 1

JAIMECOSTIGLIO.COM

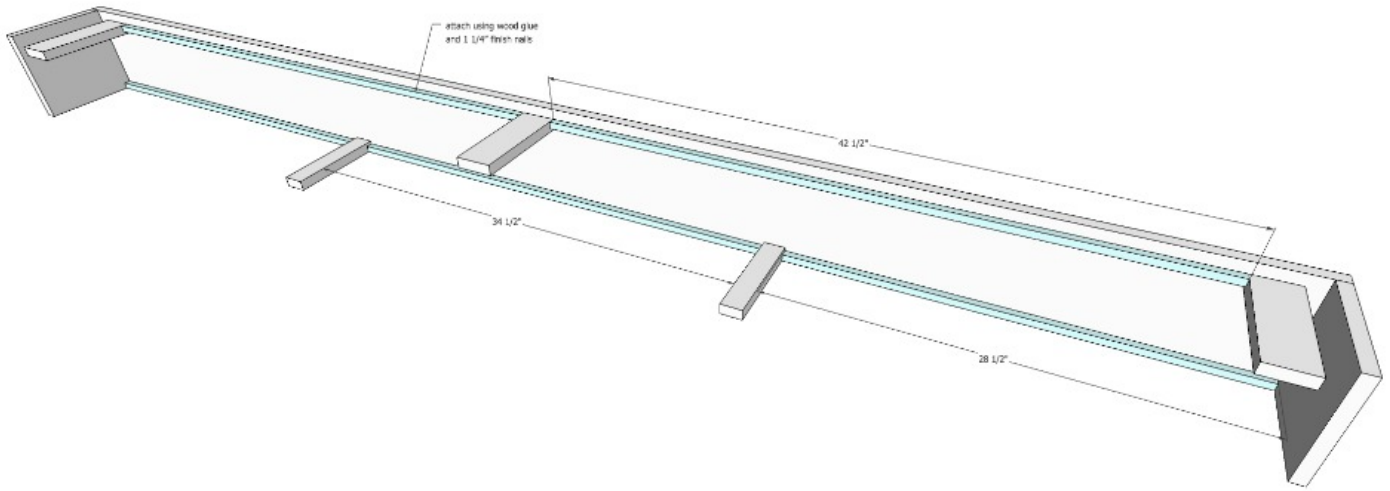
**Step 1:** Attach the sides to the front using wood glue and 1 ¼" pocket hole screws.



## HANGING FLORAL BOX STEP 2

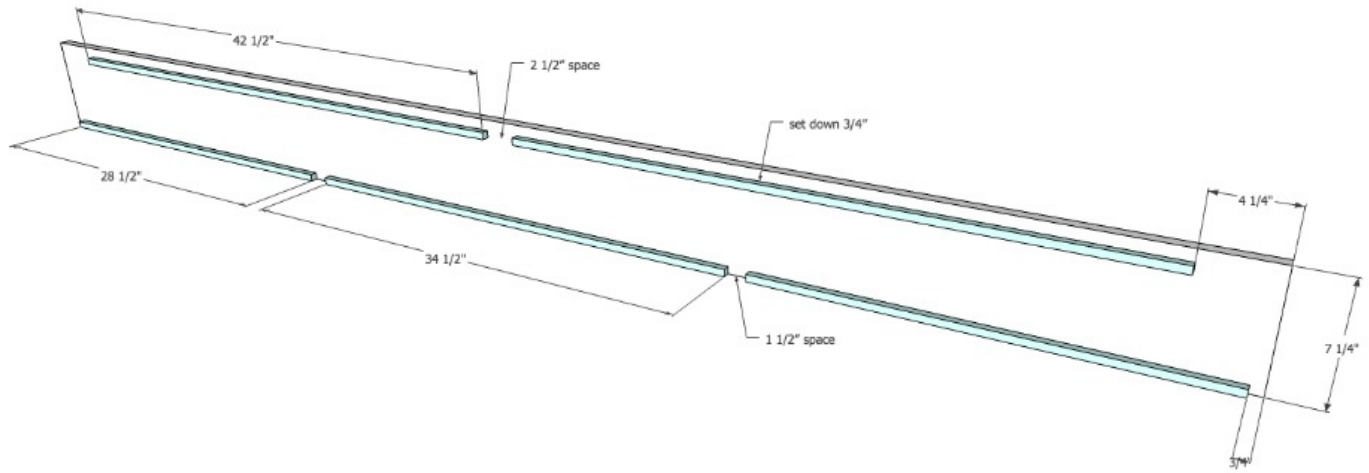
JAIMECOSTIGLIO.COM

**Step 2:** Attach the ribs to the front interior using wood glue and 1 1/4" pocket hole screws.



HANGING FLORAL BOX  
STEP 3  
JAIMECOSTIGLIO.COM

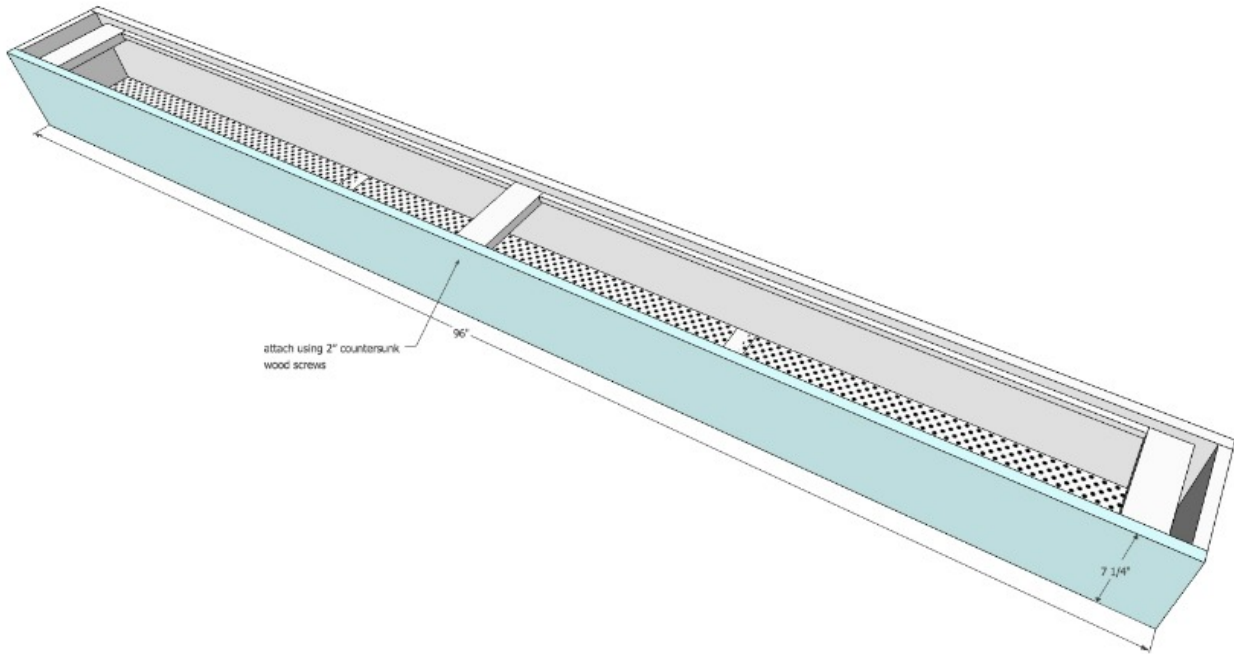
**Step 3:** Attach the cleats to the front interior using wood glue and 1 ¼” finish nails.



## HANGING FLORAL BOX STEP 4

JAIMECOSTIGLIO.COM

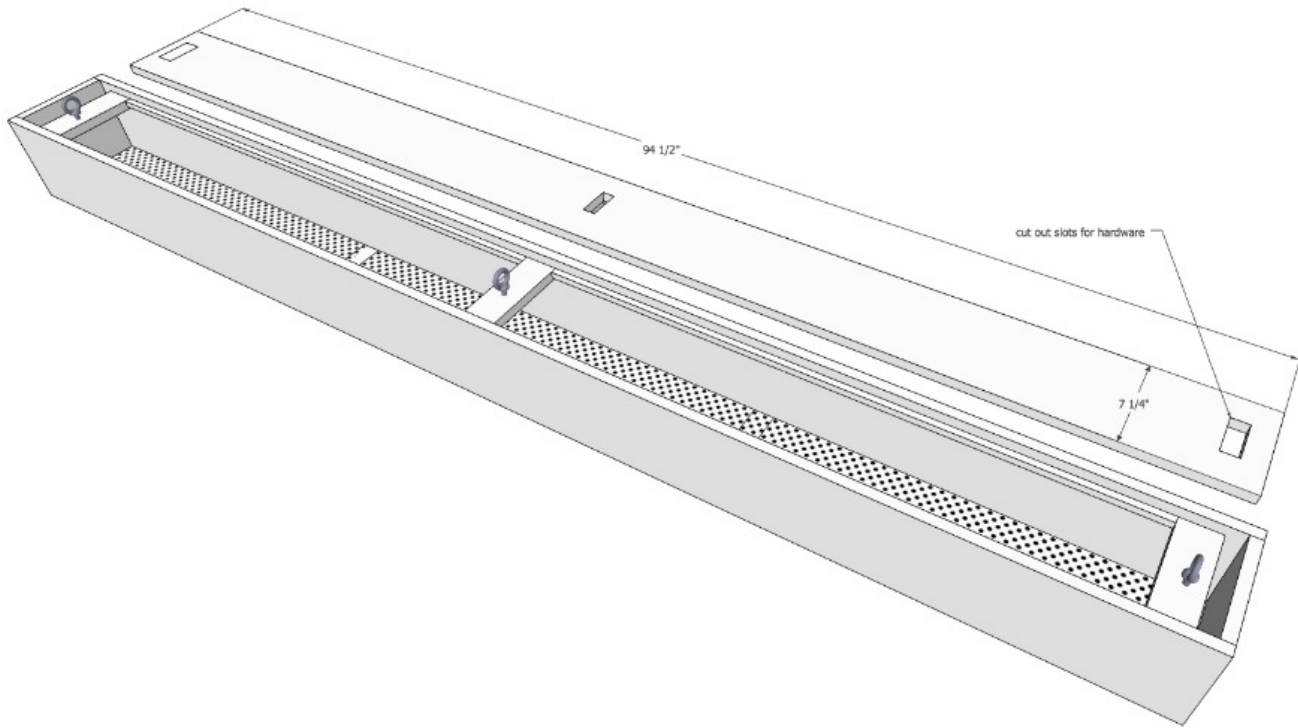
**Step 4:** Prepare the back piece by attaching cleats to the back interior using wood glue and 1 1/4" finish nails.



## HANGING FLORAL BOX STEP 5

JAIMECOSTIGLIO.COM

**Step 5:** Attach the back piece to the sides and ribs using 2" countersunk wood screws. Cut peg board pieces to fit inside box (7" x 18") and rest on bottom cleats, 5 pieces are easier to manage and install once filled with floral.



## HANGING FLORAL BOX STEP 6

JAIMECOSTIGLIO.COM

**Step 6:** Install U bolt hardware into top ribs then cut out slots in top cover for U bolt to peek through.