

STOOL SHELVES



TOTAL DIMENSIONS: 19" X 17 1/2" X 45" (STACKED)
DIFFICULTY LEVEL: INTERMEDIATE

TOOLS

REQUIRED

Circular Saw
Drill/Driver

OPTIONAL

Table Saw
Brad Nailer
Miter Saw
Sander

ADDITIONAL REQUIRED ITEMS

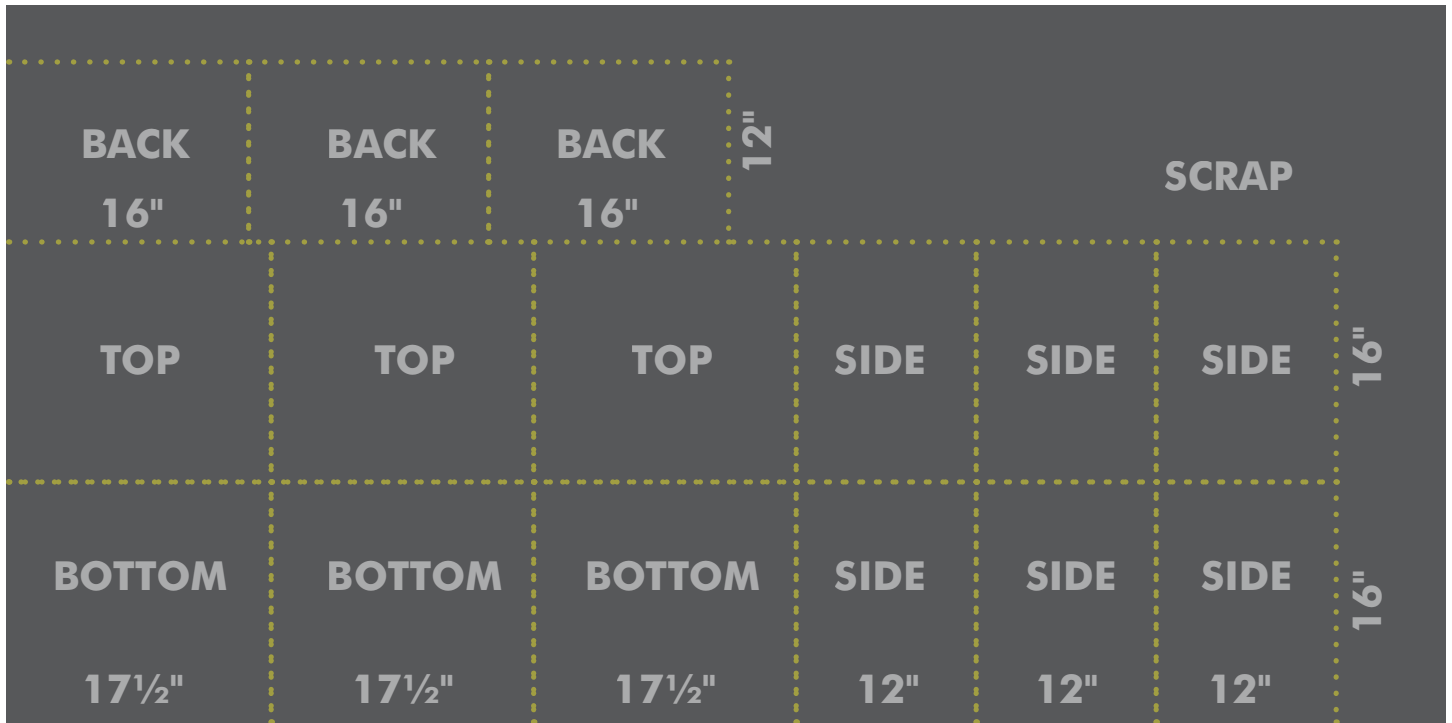
Tape Measure
Pencil
Safety Glasses
Hearing Protection
7/64" Drill Bit (optional, if not utilizing Brad Nailer)

PURCHASE LIST

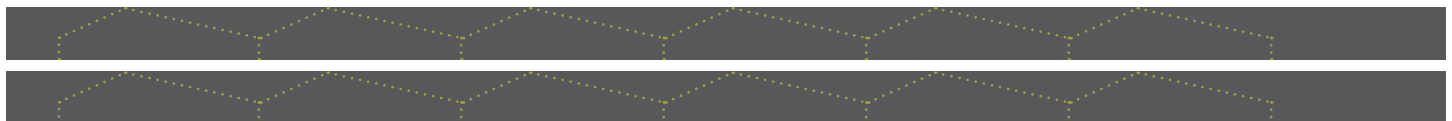
(1) 3/4" x 4' x 8' Hardwood Plywood
(4) 1" x 4" x 8' Board
1-1/4" Screws
1-1/4" Brad Nails (optional)
Wood Glue

LUMBER CUT LIST

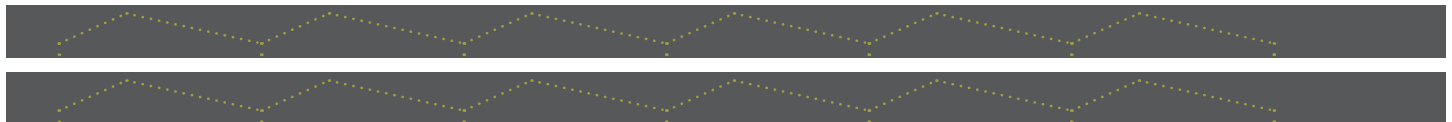
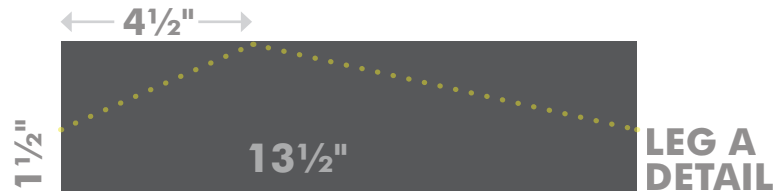
3/4" x 4' x 8' HARDWOOD PLYWOOD



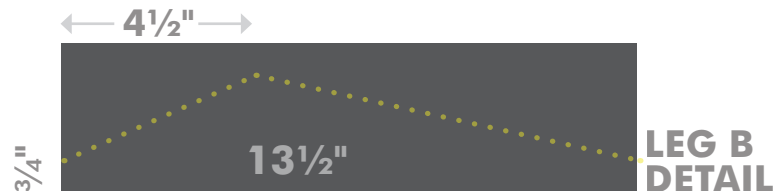
1" x 4" x 8' (Qty 4)



LEG A (12)



LEG B (12)

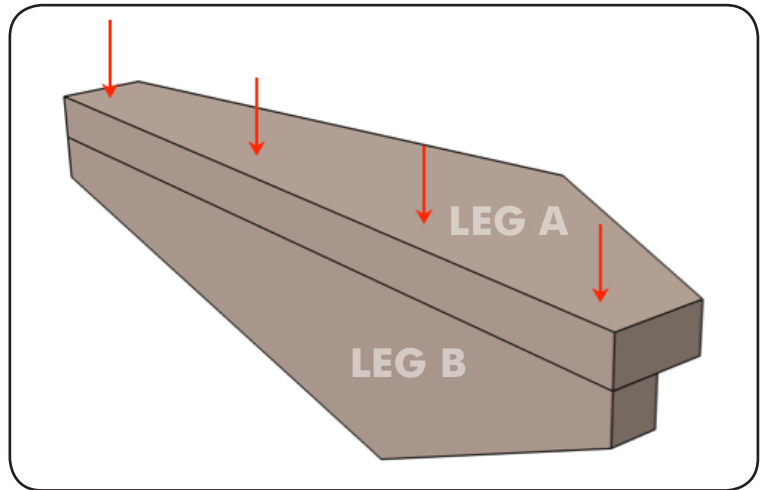


ASSEMBLY:

1

ASSEMBLE LEGS

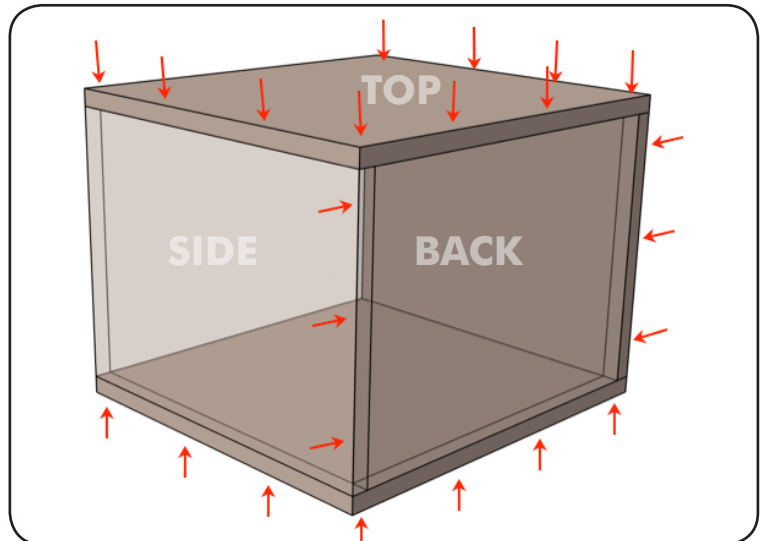
Assemble 12 legs with wood glue and 1-1/4" screws (pre-drill holes using 7/64" drill bit) or use **brad nails**.



2

ASSEMBLE BOXES

Assemble 3 boxes with wood glue and 1-1/4" screws (pre-drill holes using 7/64" drill bit) or use **brad nails**.



3

ASSEMBLE STOOLS

Assemble 3 stools with wood glue and 1-1/4" screws (pre-drill holes using 7/64" drill bit) or use **brad nails**.

OPTIONAL

Sand edges with sander for a smooth finish.
Paint or stain as desired.

