



Summary

Sturdy and simple to build, all you'll need is some 2x4s, a drill and a saw to make this beautiful outdoor coffee table.

Cut List

- 4 – 2x4 @ 14-1/2" – Legs
- 2 – 2x4 @ 23-1/2" – Breadboard Ends
- 5 – 2x4 @ 20-1/2" – End aprons, Supports
- 8 – 2x4 @ 47" – Side Aprons, Tabletop Boards

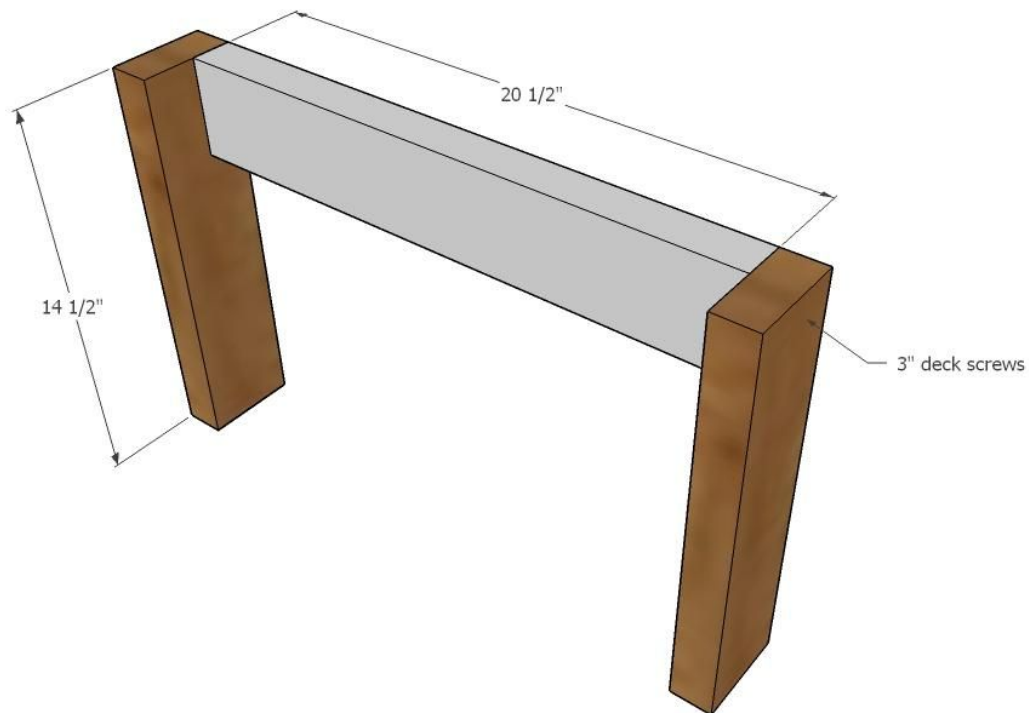
Tools and Materials

- 7 – 2x4 @ 8 feet long
- 80 – 3" self-tapping exterior deck screws

Ana White Ryobi June Outdoor Project Coffee Table

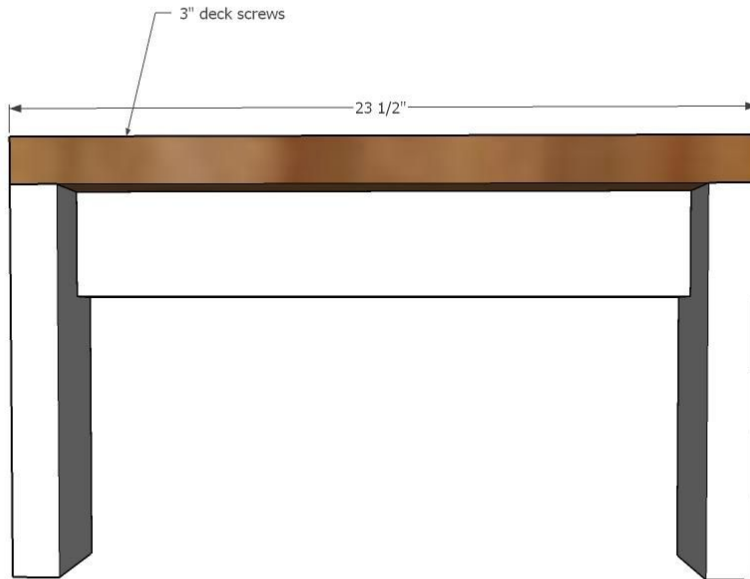
Page 2 of 6

- Measuring Tape, Pencil, Eye and Ear Protection, Circular Saw or Miter Saw, Drill with bit to match screw heads, Clamps, Clean level worksurface



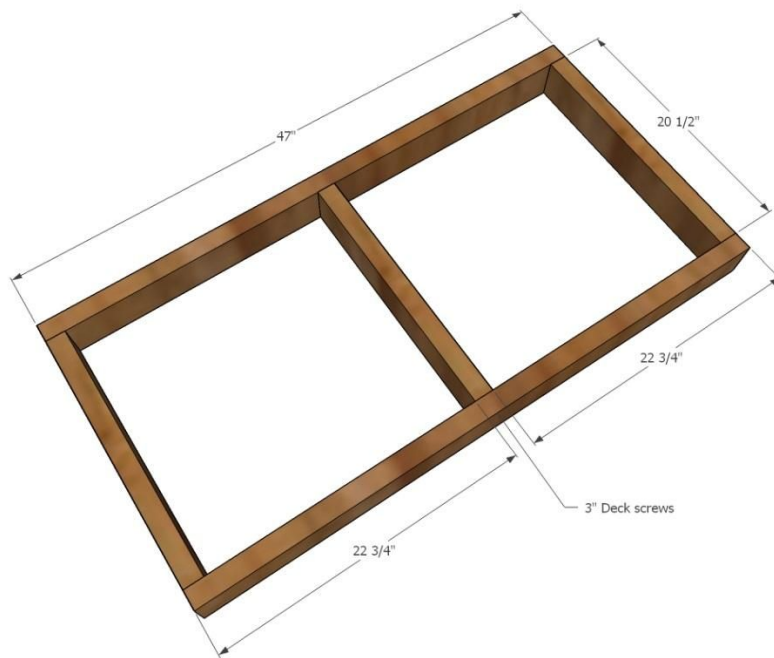
Step 1: Legs

Attach two legs to an apron, two 3" deck screws per joint. Repeat for second leg set.



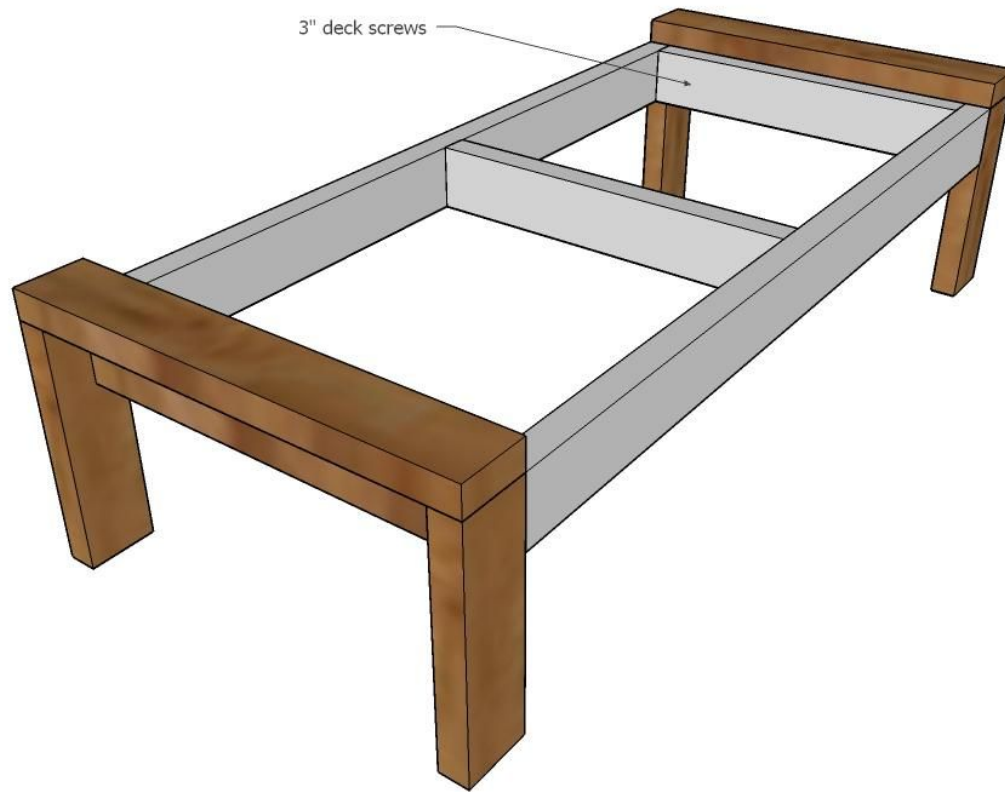
Step 2: Breadboard Ends

Screw a breadboard end to the top of the leg set built in previous step, attaching to both legs and apron with 3" deck screws. Repeat for second leg set.



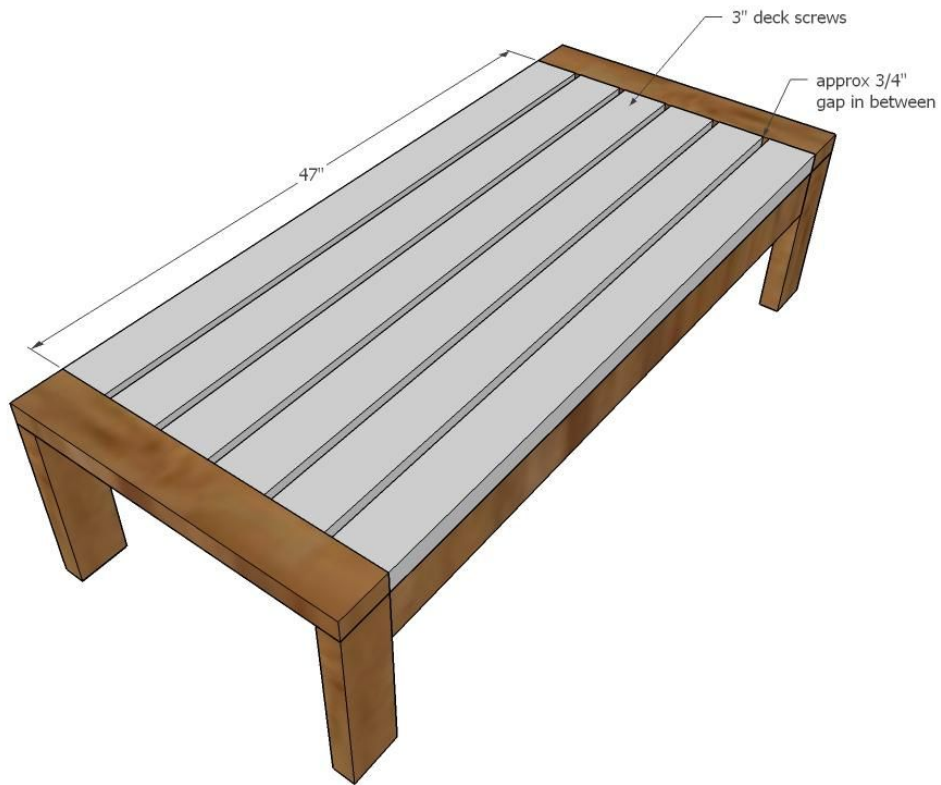
Step 3: Table Base

Build the table base with long aprons and remaining short aprons, attaching with 3" deck screws. Center the middle support on long aprons.



Step 4: Table Assembly

Raise table support up off workbench on scrap 2x4 boards. Attach legs to end aprons with 3" deck screws. Use at least six screws per side.



Step 5: Tabletop Side Boards

Flip table over and lay remaining boards on top. Attach outside tabletop boards first, all edges flush on outsides. Then attach center boards.

Attach tabletop boards to all supports with 3" deck screws. Do not overdrive screws. TIP: Attach in pattern for a more attractive tabletop.