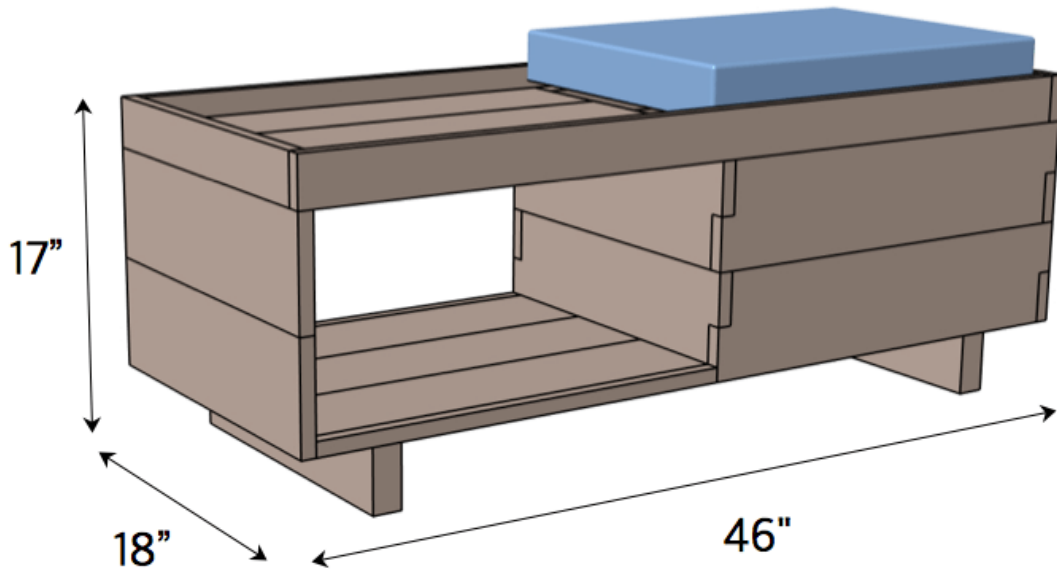


STORAGE BENCH

BUILD TIME = 1 WKND | EST. COST TO BUILD = \$50-\$100 | SKILL LEVEL = INTERMEDIATE



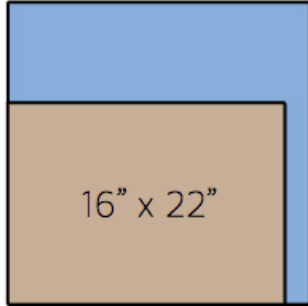
REQUIRED TOOLS

- Pocket Hole Jig
- Drill / Driver
- Biscuit Joiner
- Table Saw
- Jigsaw or Band saw
- Brad Nailer
- Stapler
- Utility Knife
- Tape Measure
- Pencil
- Safety Glasses
- Hearing Protection

MATERIALS

- Qty 1 - 3/4" x 2' x 2' Plywood
- Qty 1 - 1 x 3 x 8'
- Qty 5 - 1 x 6 x 8'
- Qty 1 - 2 x 4 x 8'
- #20 Biscuits
- 1-1/4" Brad Nails
- 1-1/4" Pocket Screws
- Wood Glue
- 22" Drawer Slides (pair)
- 2" Foam
- Fabric
- Staples

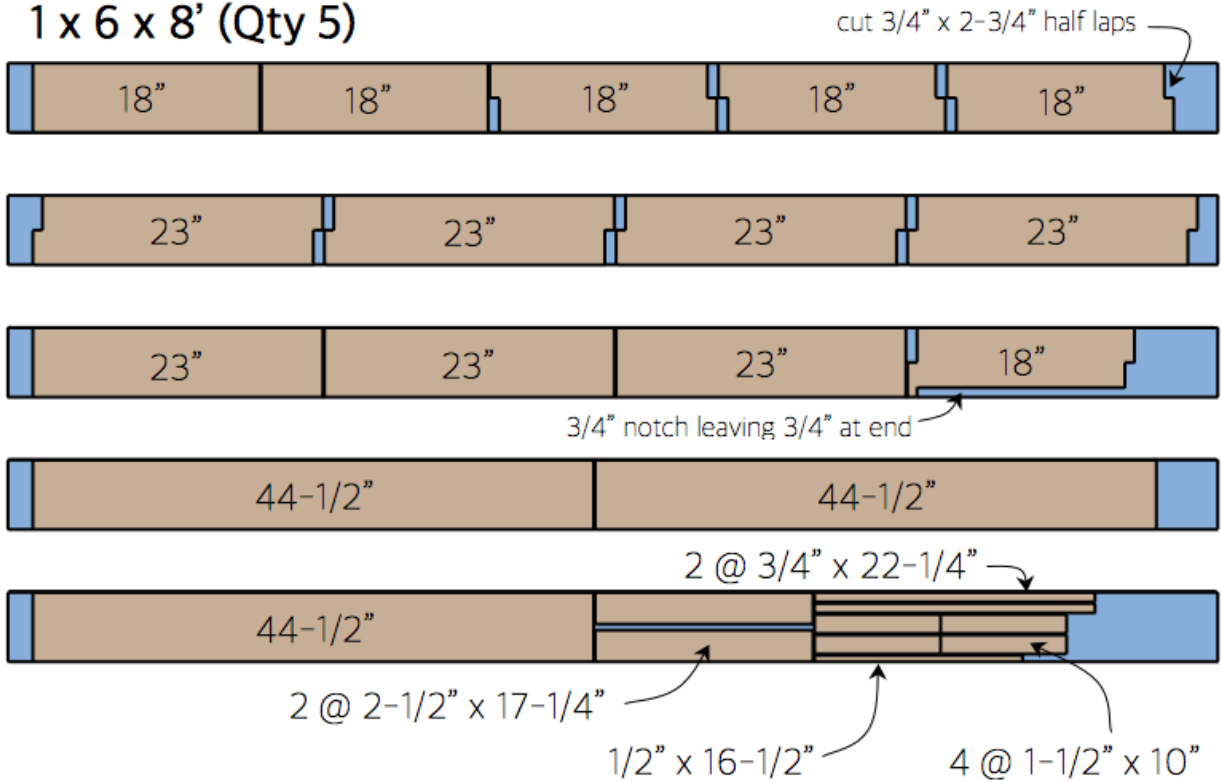
3/4" x 2' x 2' Plywood



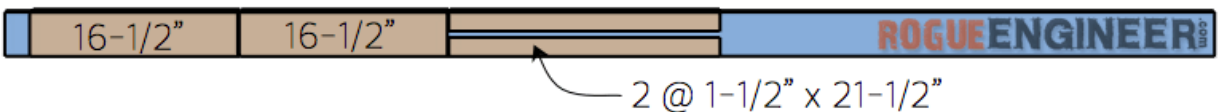
1 x 3 x 8'



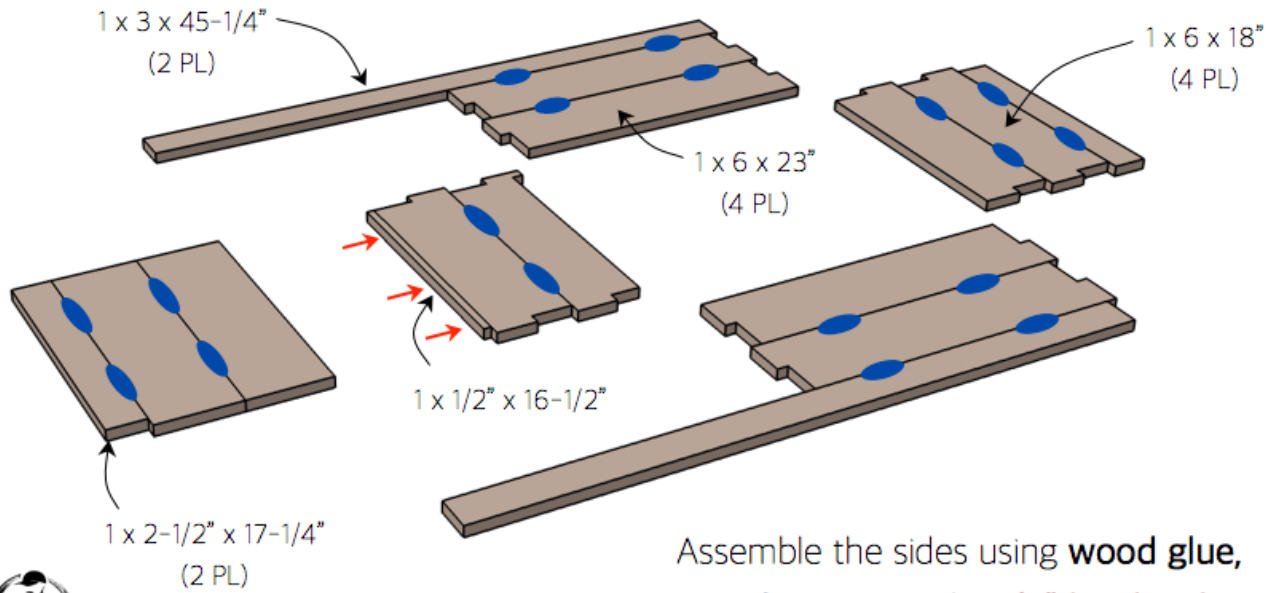
1 x 6 x 8' (Qty 5)



2 x 4 x 8'

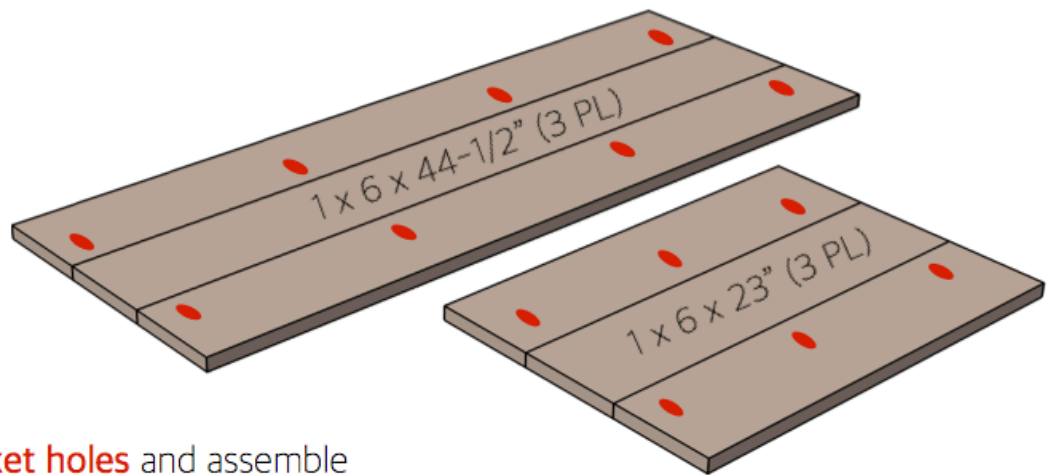


Step 1: Assemble Sides



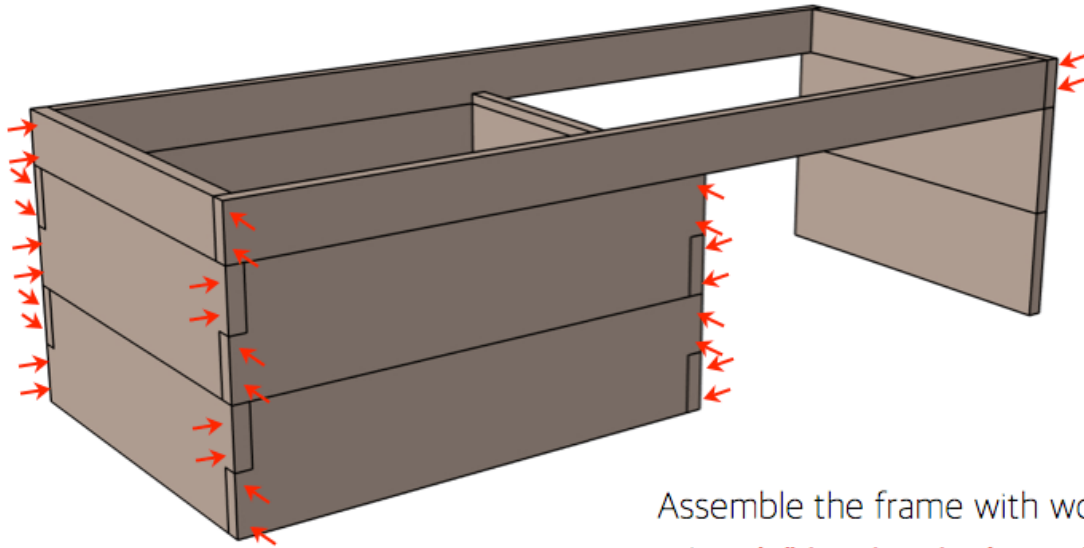
Assemble the sides using **wood glue**, **#20 biscuits**, and **1-1/4" brad nails**.

Step 2: Top & Bottom



Drill **pocket holes** and assemble top and bottom with **wood glue** and **1-1/4" pocket screws**.

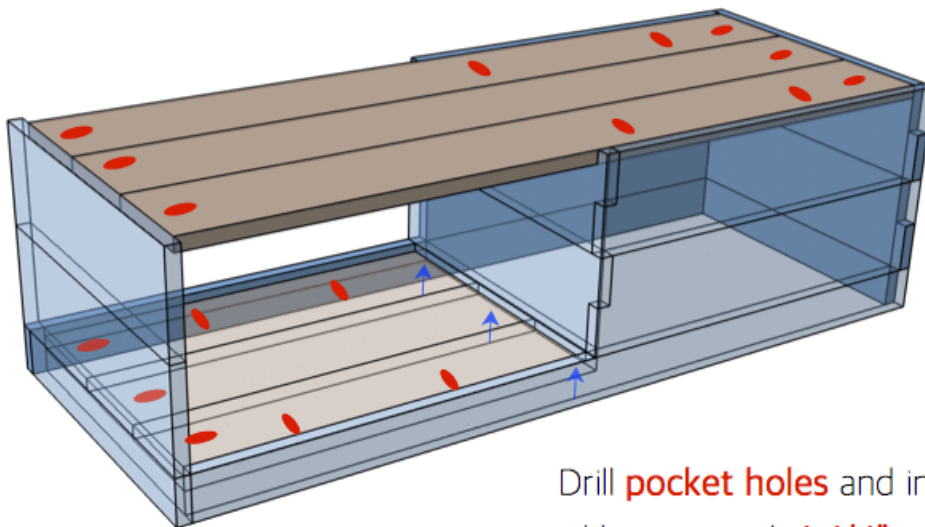
Step 3: Assemble Frame



Assemble the frame with wood glue and **1-1/4" brad nails**. (Not all shown)



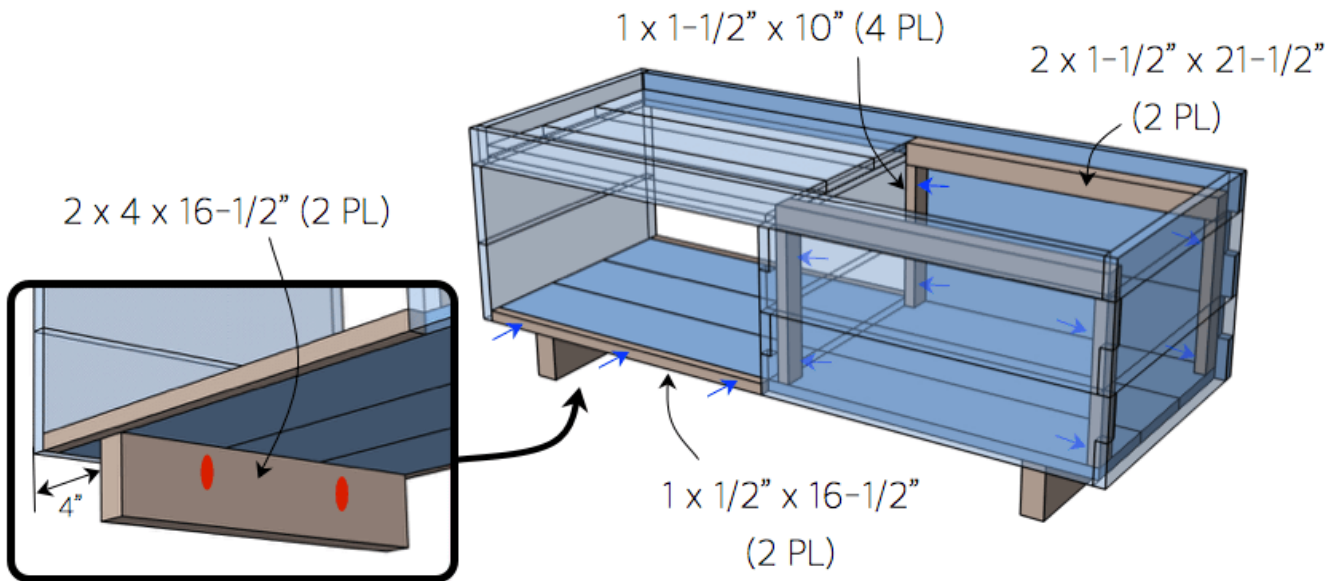
Step 4: Install Top & Bottom



Drill **pocket holes** and install the top and bottom with **1-1/4" pocket screws**, wood glue and **1-1/4" brad nails**.



Step 5: Filler, Feet and Rails



Install the filler pieces, rails and supports with **wood glue** and **1-1/4" brad nails**.
Then install the feet with **wood glue** and **1-14" pocket screws**.

Step 6: Cover and Install Seat

Cut 2" foam to match the profile of the plywood. Then cover with fabric of your choice and staple to plywood.

Make sure the area where the drawer slides attach is not covered. These areas should be stapled to the sides and trimmed as to not over hang the bottom. Then install the seat to the bench with the 22" drawer slides.

