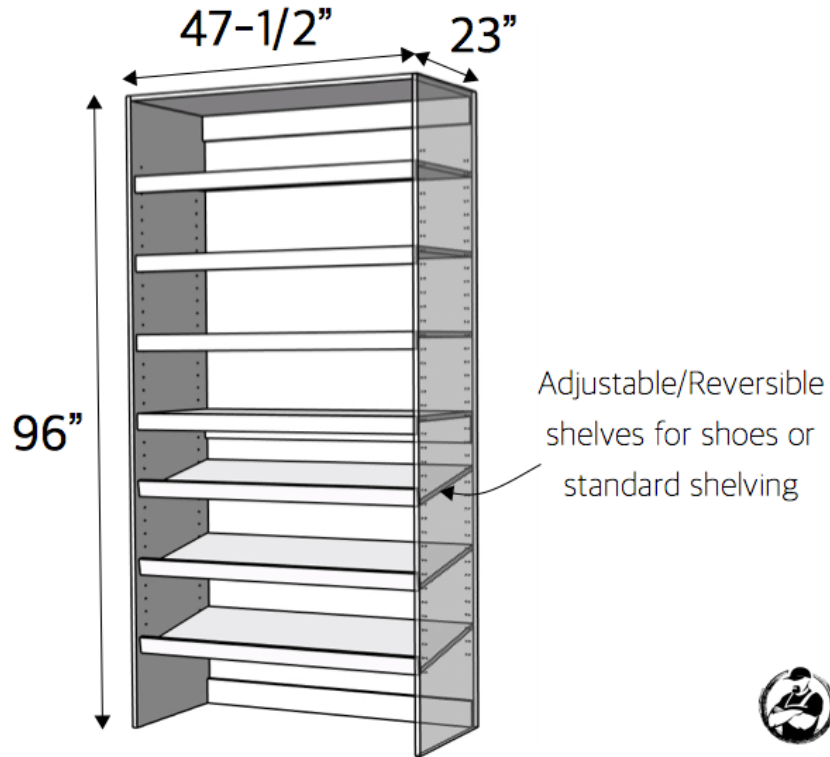


# SHOE RACK/SHELVING UNIT

BUILD TIME = 1 DAY | EST. COST TO BUILD = \$175-\$200 | SKILL LEVEL = BEGINNER



## REQUIRED TOOLS

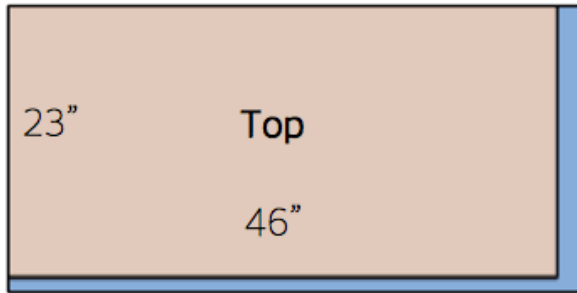
- Drill / Driver
- Circular Saw &/or Table Saw
- Speed Square
- Shelf Pin Jig
- Brad Nailer (Optional)
  - To hold box in place during assembly
- Tape Measure
- Pencil
- Safety Glasses
- Hearing Protection

## MATERIALS

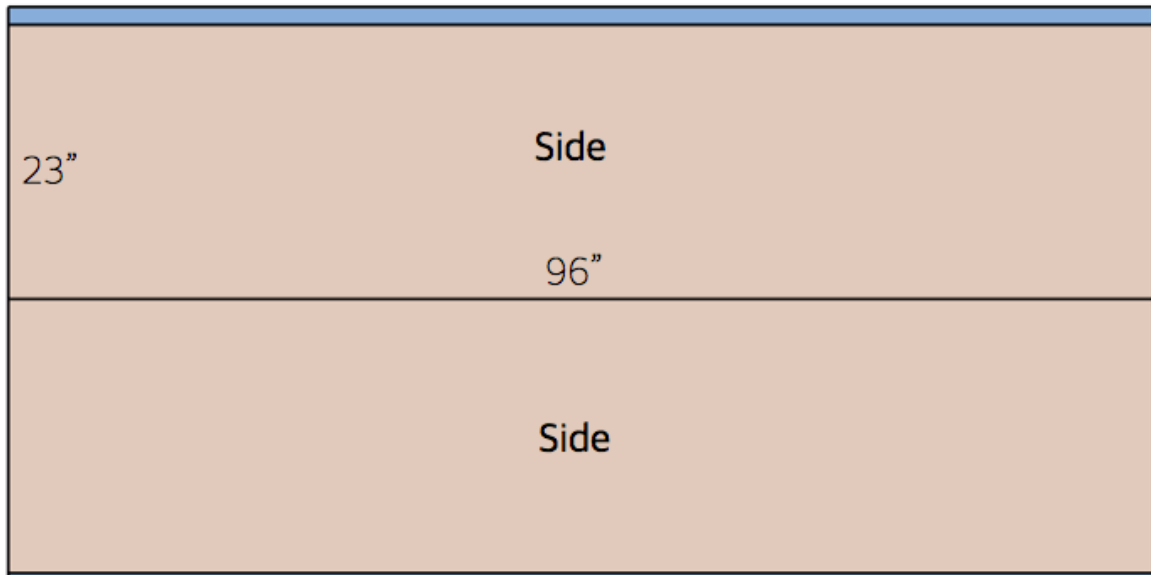
- 3/4" x 2' x 4' MDF or Plywood
- Qty 3 - 3/4" x 4' x 8' MDF or Plywood
- Shelf Pins
- 3" Wood Screws
- 1-1/2" Trim Screws
- 1-1/2" Brad Nails (optional)
- Wood Glue (optional)
- Wood Filler

# CUT LIST

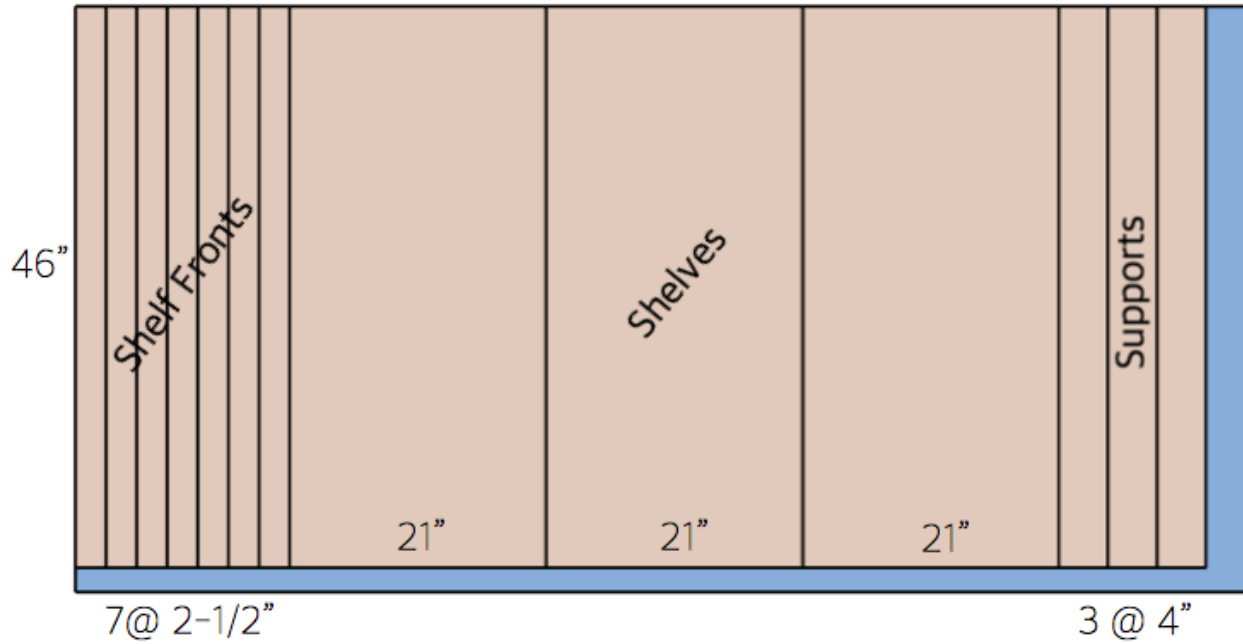
3/4" x 2' x 4' MDF or Plywood



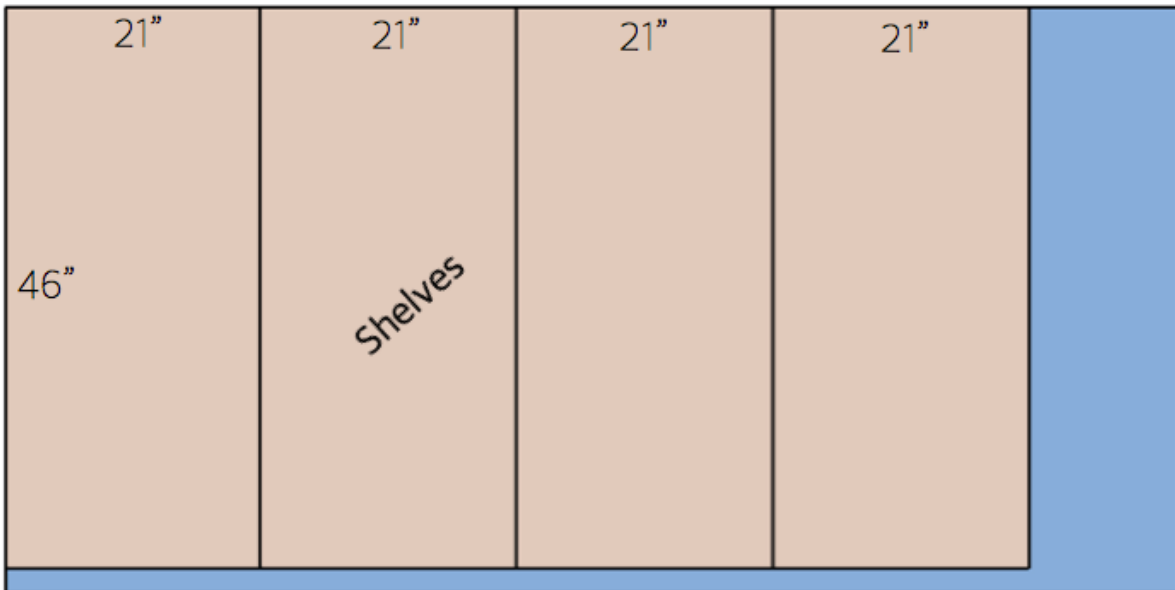
3/4" x 4' x 8' MDF or Plywood



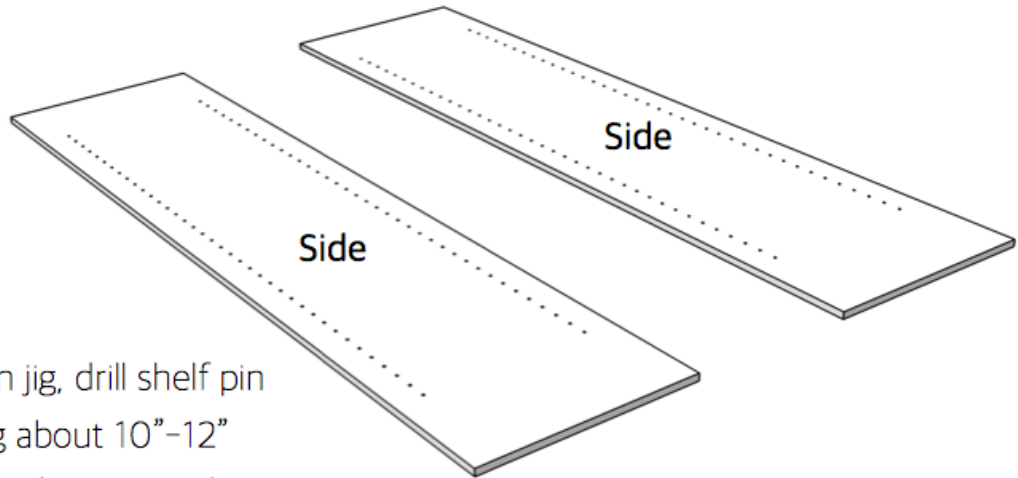
3/4" x 4' x 8' MDF or Plywood



3/4" x 4' x 8' MDF or Plywood



# Step 1: Drill Shelf Pin Holes



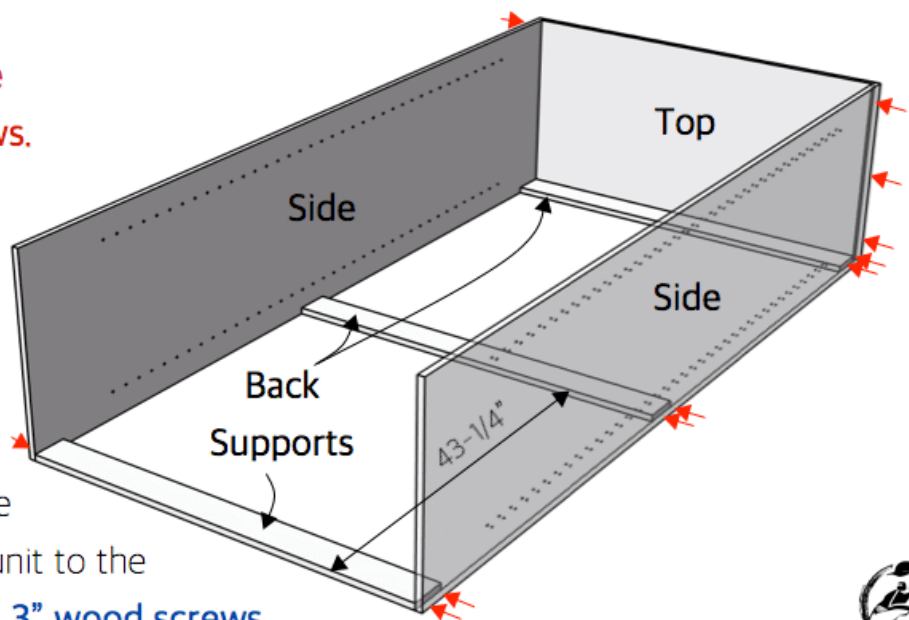
Using a shelf pin jig, drill shelf pin holes starting about 10"-12" from the top and stopping the same distance from the bottom.



# Step 2: Box Assembly

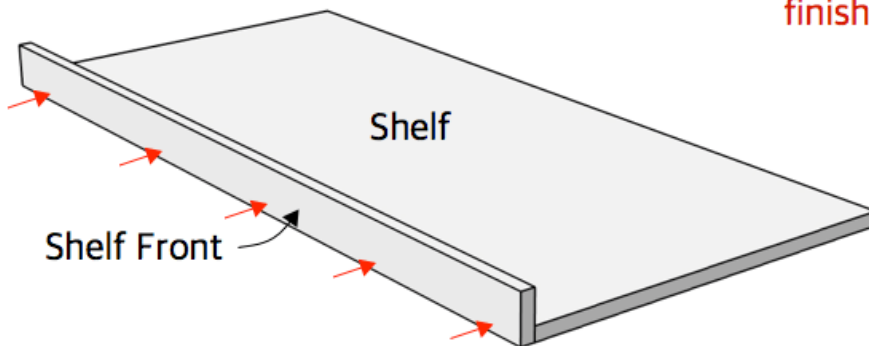
**Pre-drill and assemble using 1-1/2" trim screws. (Not all shown)**

Then, locate the wall studs using a stud finder. Using a level, make sure the front and sides of the unit are plumb and secure the unit to the wall studs using at least **3" wood screws**.



## Step 3: Shelf Assembly

Assemble shelves with **wood glue** and **1-1/2" brad nails** or **1-1/2" finish screws**.



## Step 4: Final Assembly

Place shelves as desired using shelf pins. Shelves may be installed with shelf front up and on an angle (for shoes) or down as a standard shelf.

