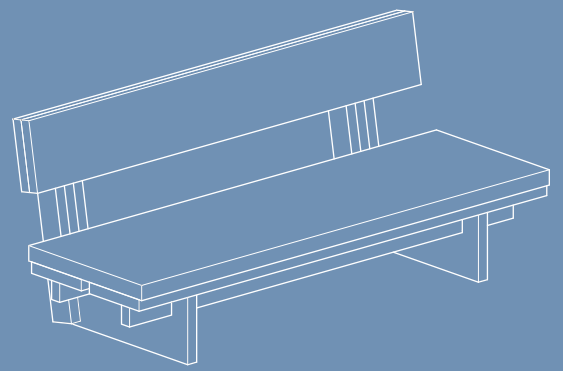


# DIY SOFA

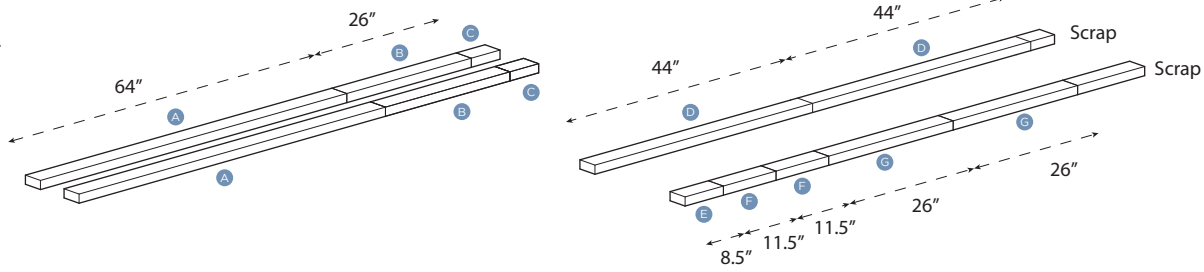
How to make a sofa for less than \$100 using only 3 different power tools

VIDEO INSTRUCTIONS ON [HOMEMADE-MODERN.COM](http://HOMEMADE-MODERN.COM)



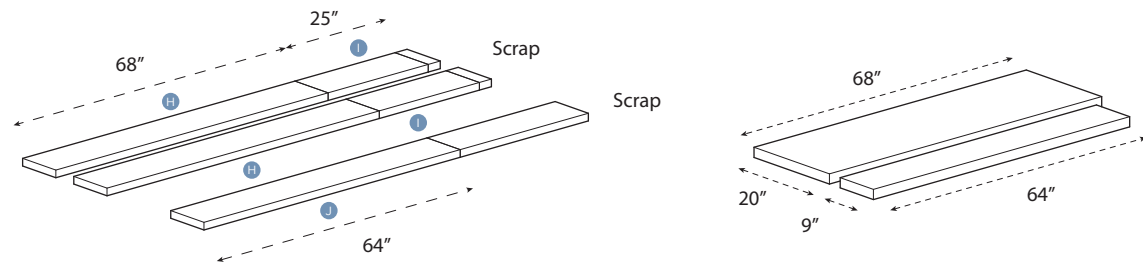
## 1. Cut the 2x4s

This project requires four 8-foot long 2x4s. Cut the 2x4s into the following lengths with either a circular saw or a miter saw



## 2. Cut the 2x10s and Order the Foam

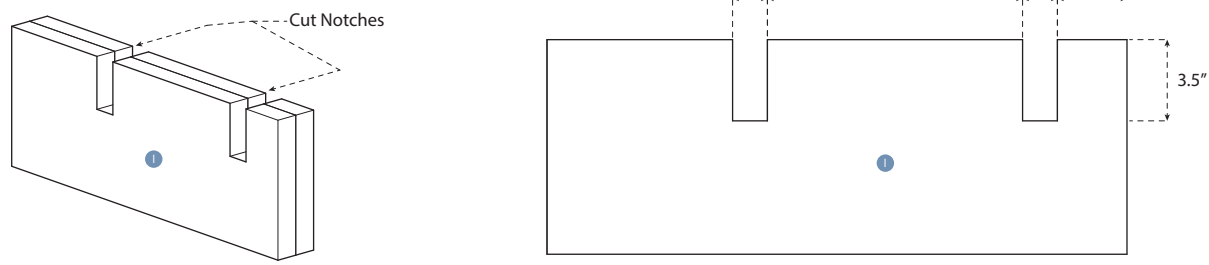
This project requires three 8-foot long 2x10s. Cut the 2x10s into the following lengths with either a circular saw or a miter saw.



I used 2" thick foam from [www.foambymail.com](http://www.foambymail.com). I selected the Cushion Lux Foam Regular option and had them cut the pieces to size.

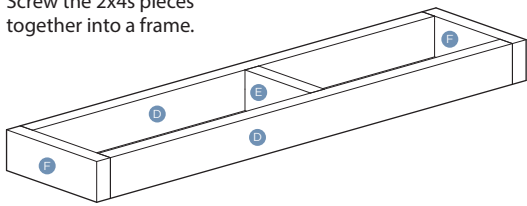
## 3. Cut notches in the 2x10s

Clamp together the pieces of 2x10 and the cut out notches using a circular saw, drill, and chisel.

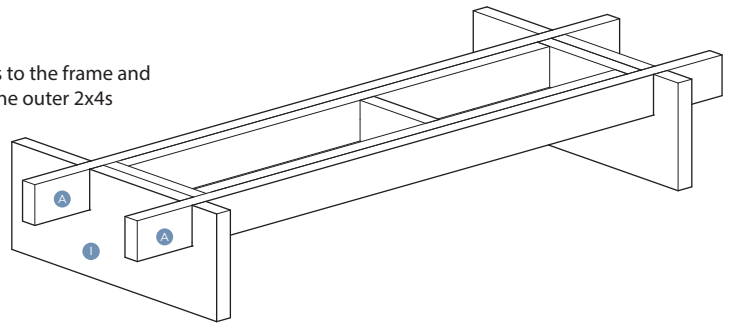


## 4. Assemble base

Screw the 2x4s pieces together into a frame.

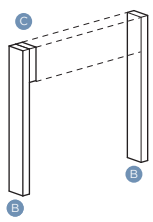


Screw the 2x10s to the frame and then screw on the outer 2x4s

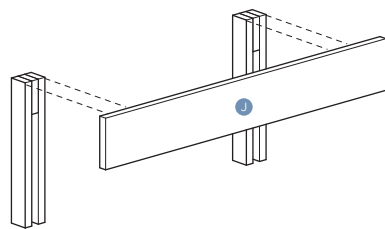


## 5. Assemble back

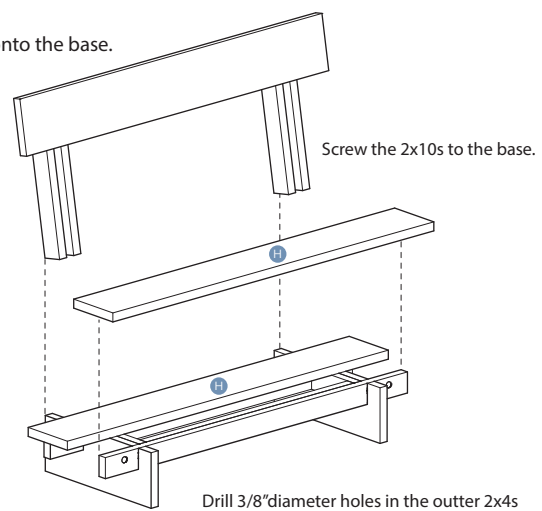
Screw the back supports together



Screw the 2x10 onto the back supports

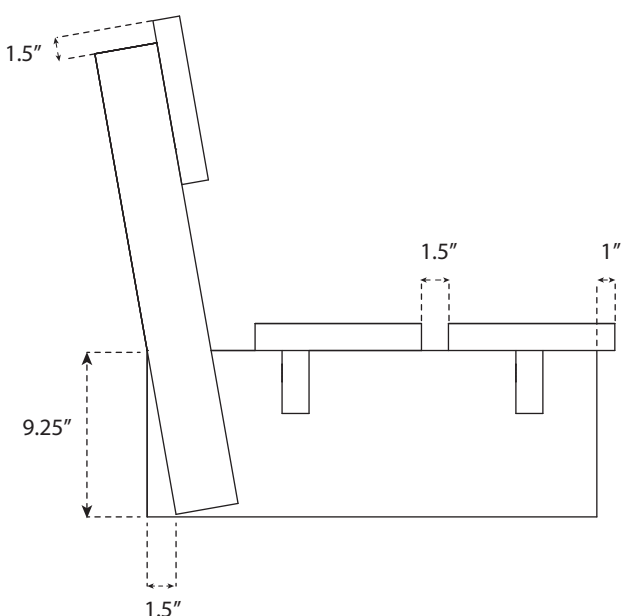


Place the back onto the base.



## 6. Adjust back and add the cushions

Adjust the back to the appropriate angle and then screw the back supports to the 2x10s.



Wrap the foam in blankets or sheets and then secure to the wood frame with bungee cords

