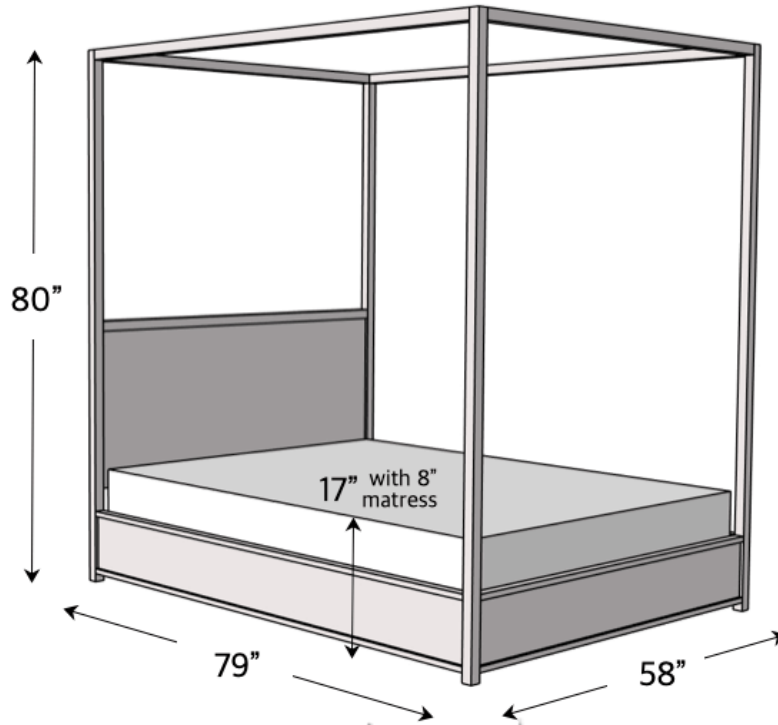


FULL CANOPY BED

BUILD TIME = 2 DAYS | EST. COST TO BUILD = \$400 | SKILL LEVEL = BEGINNER



REQUIRED TOOLS

- Drill/Driver
- Miter Saw
- Circular Saw w/ Straight Edge
- Kreg Right Angle Clamp
- Tape Measure
- Pencil
- Safety Glasses
- Hearing Protection

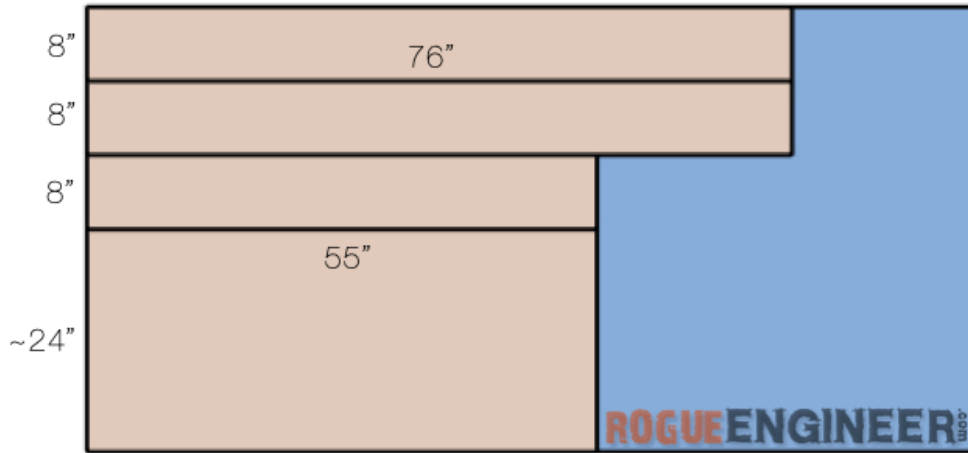
MATERIALS

- 3/4" x 4' x 8' Oak Plywood
- (6) 2 x 2 x 8' Oak Boards
- (3) 2 x 2 x 6' Oak Boards
- (4) 1 x 2 x 8' Oak Boards
- (2) 1 x 2 x 6' Oak Boards
- (2) 2 x 2 x 8' Furring Strips
- (11) 1 x 4 x 6' Furring Strips
- 2-1/2" Pocket Screws
- 1-1/4" Pocket Screws
- 2" Wood Screws
- 1-1/4" Wood Screws
- (4) Furniture Glides

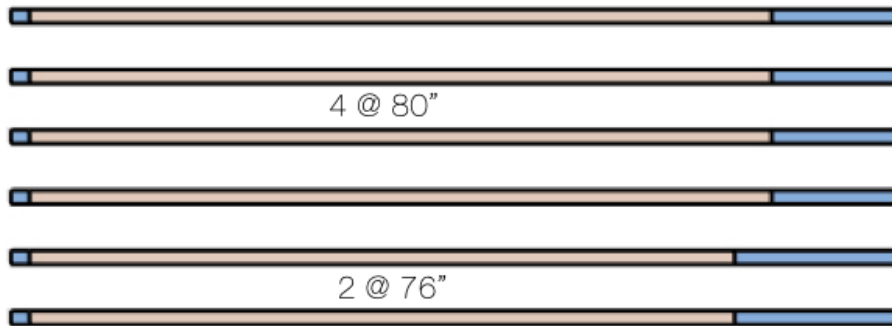
Note: Cost can be reduced by going with Pine instead of Oak

CUT LIST

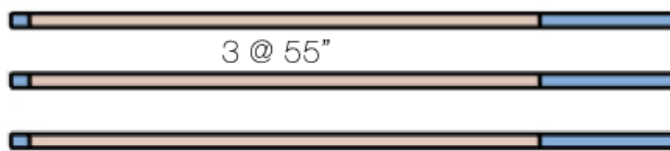
3/4" x 4' x 8' Plywood



2 x 2 x 8' Boards (Qty 6)



2 x 2 x 6' Boards (Qty 3)



1 x 2 x 8' Boards (Qty 4)



1 x 2 x 6' Boards (Qty 2)

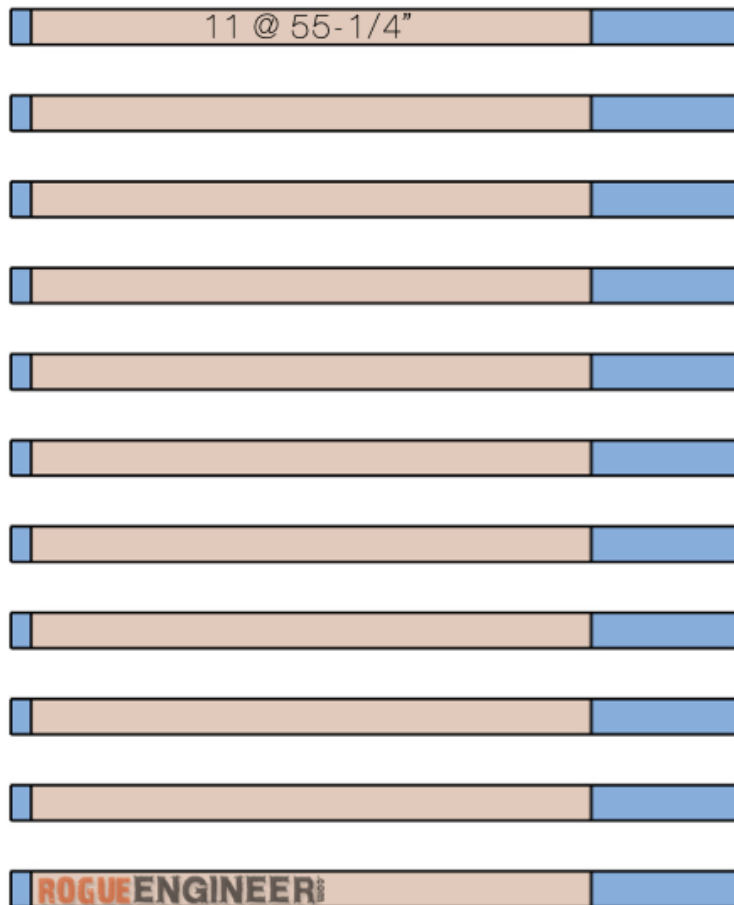


CUT LIST

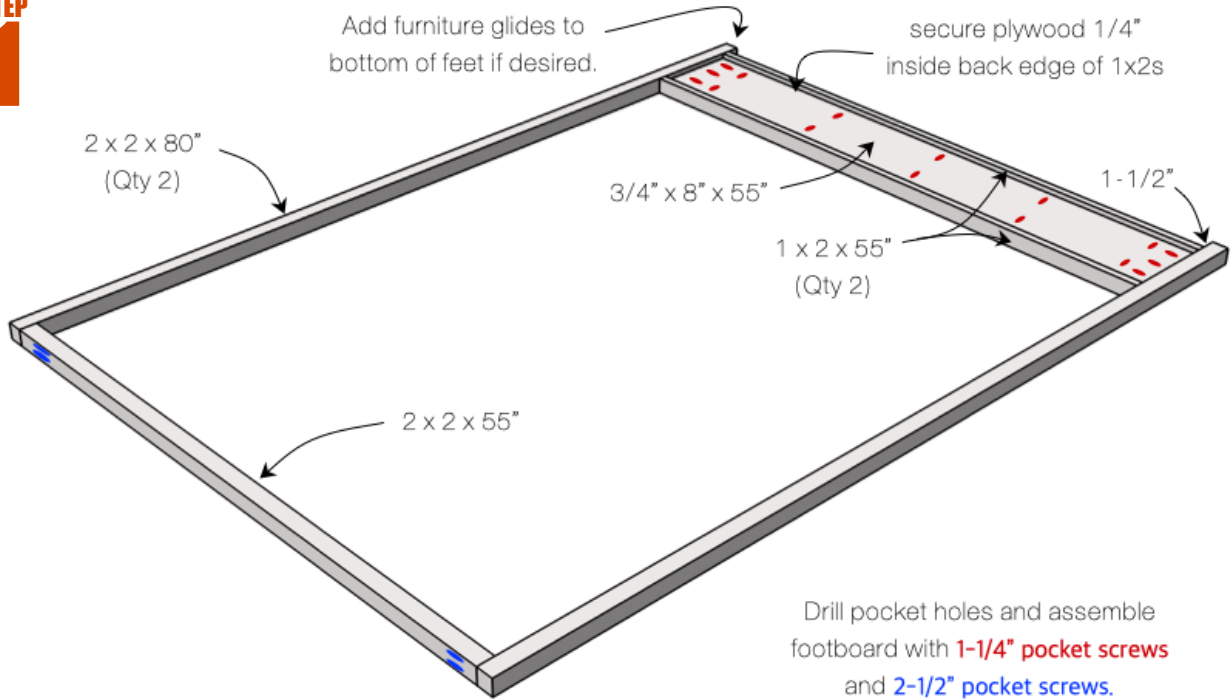
2 x 2 x 8' Furring Strips (Qty 2)



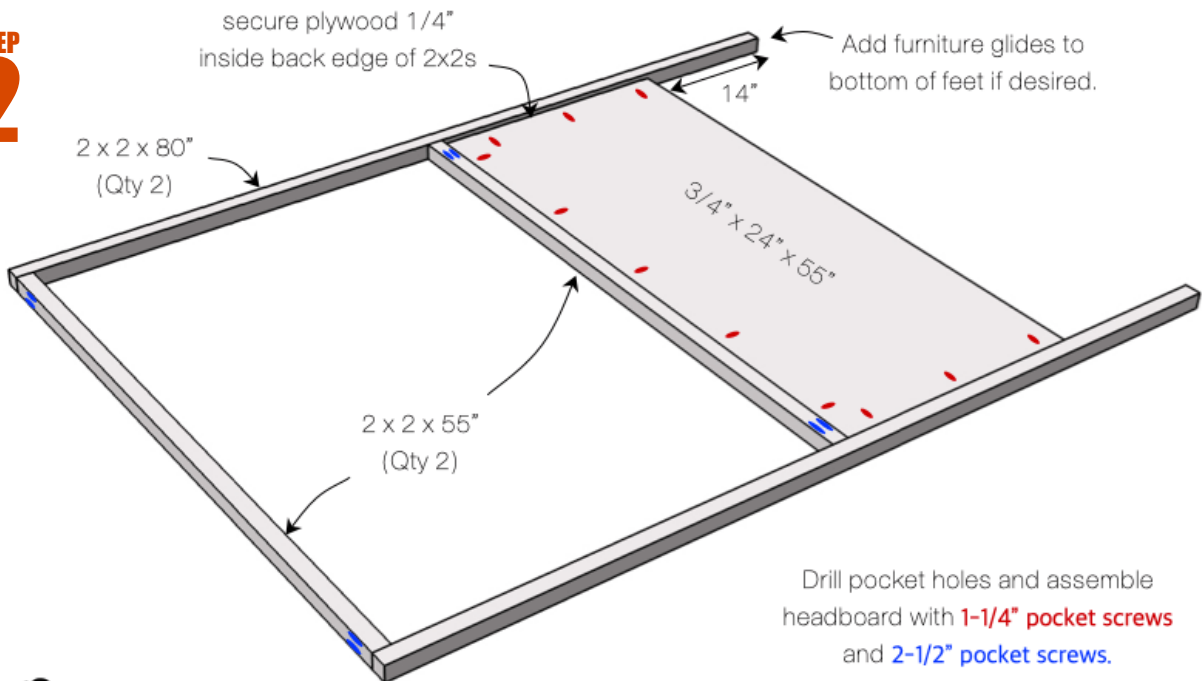
1 x 4 x 6' Furring Strips (Qty 11)



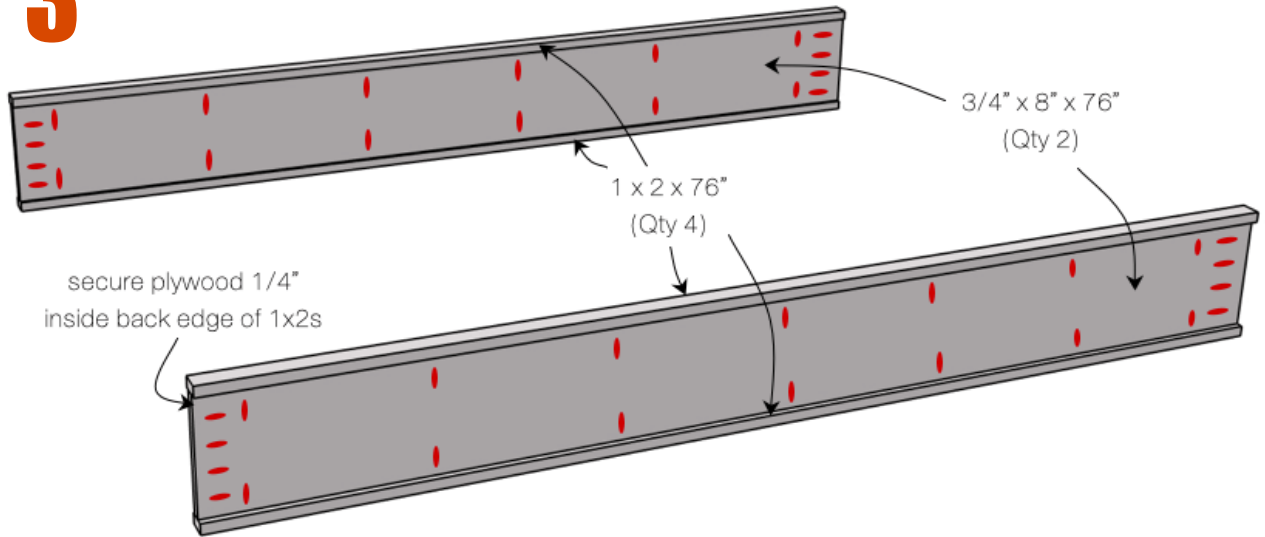
STEP 1



STEP 2



STEP 3



secure plywood 1/4" inside back edge of 1x2s

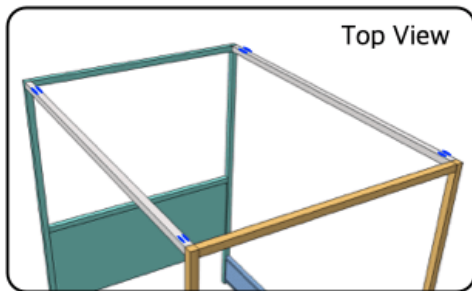
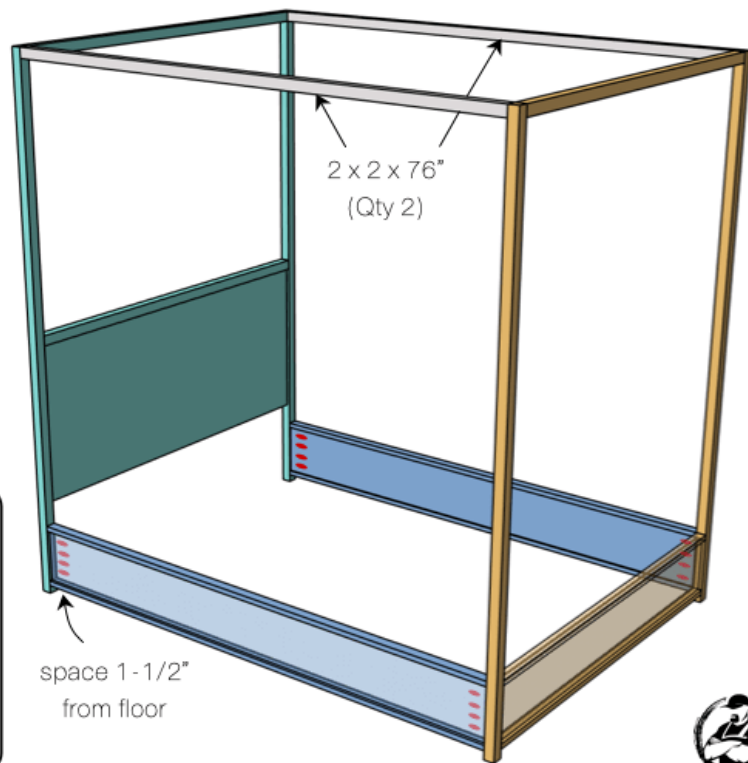
Drill pocket holes and assemble side boards with **1-1/4" pocket screws**.
 Note: If you will be disassembling/reassembling this bed, consider using bed rail hardware.



STEP 4

Drill pocket holes and assemble bed frame with **1-1/4" pocket screws** and **2-1/2" pocket screws**.

Note: Use the Kreg right angle clamp to hold the 2x2s in place while securing

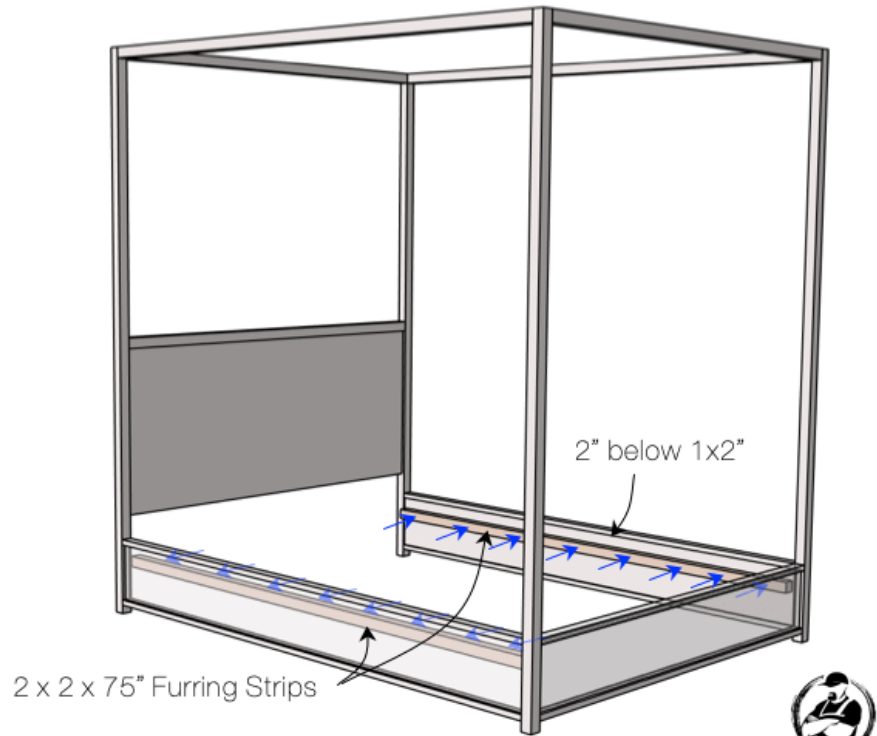


space 1-1/2" from floor



**STEP
5**

Secure 2 x 2 furring strips with **2" wood screws** as shown.



**STEP
6**

Pre-drill and secure the wood bed slats about **3-1/2" apart** with **1-1/4" wood screws**.

