

# LOUNGE CHAIR & OTTOMAN

Build Time = 1 Day | Est. Cost to Build = \$30 | Skill Level = Beginner

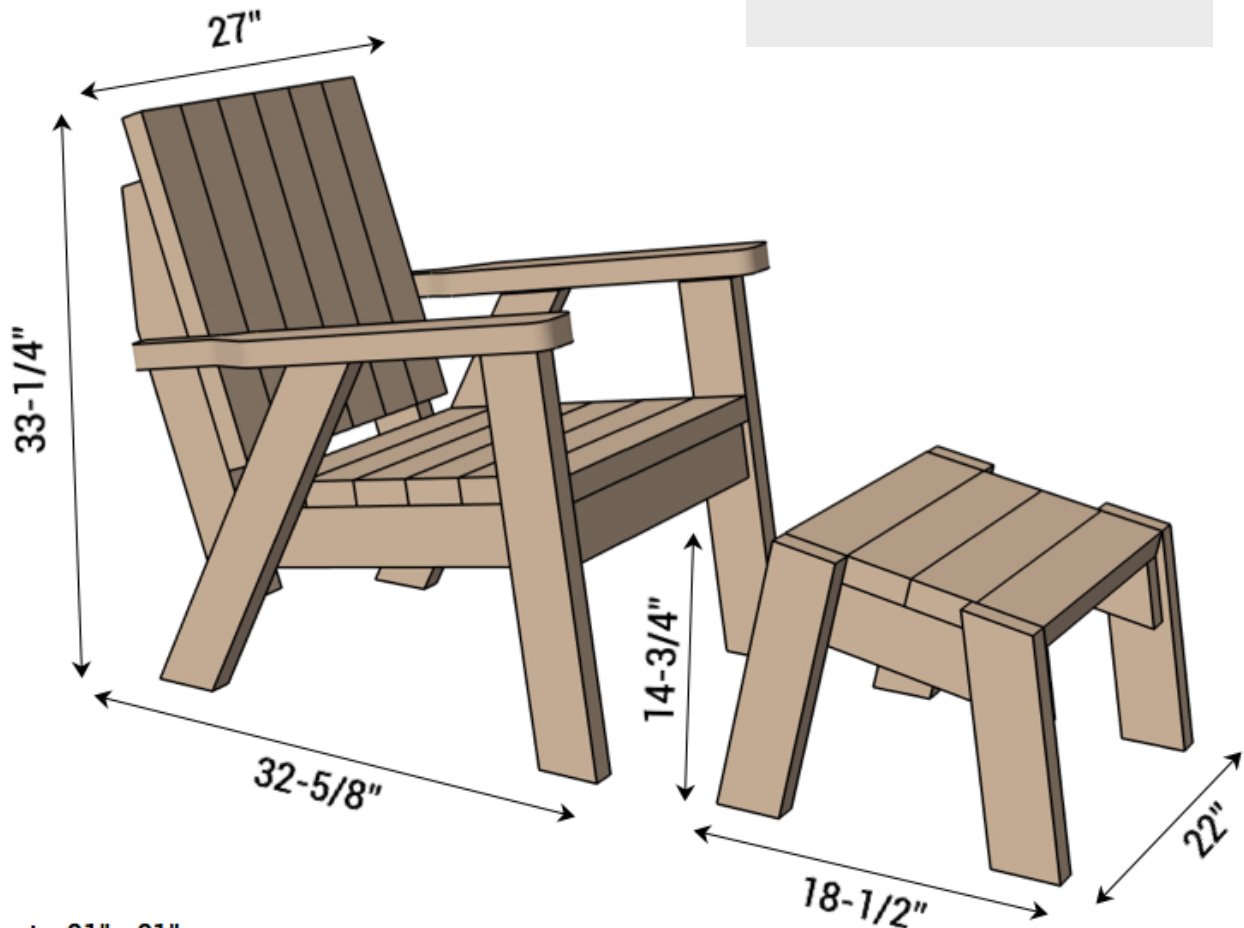
## Materials

- Qty 8 - 2 x 4 x 96" Premium Studs
- 2-1/2" Wood Screws

## Required Tools

- Drill/Driver
- Miter Saw
- Jig Saw
- Orbital Sander
- Tape Measure
- Pencil
- Safety Glasses
- Hearing Protection

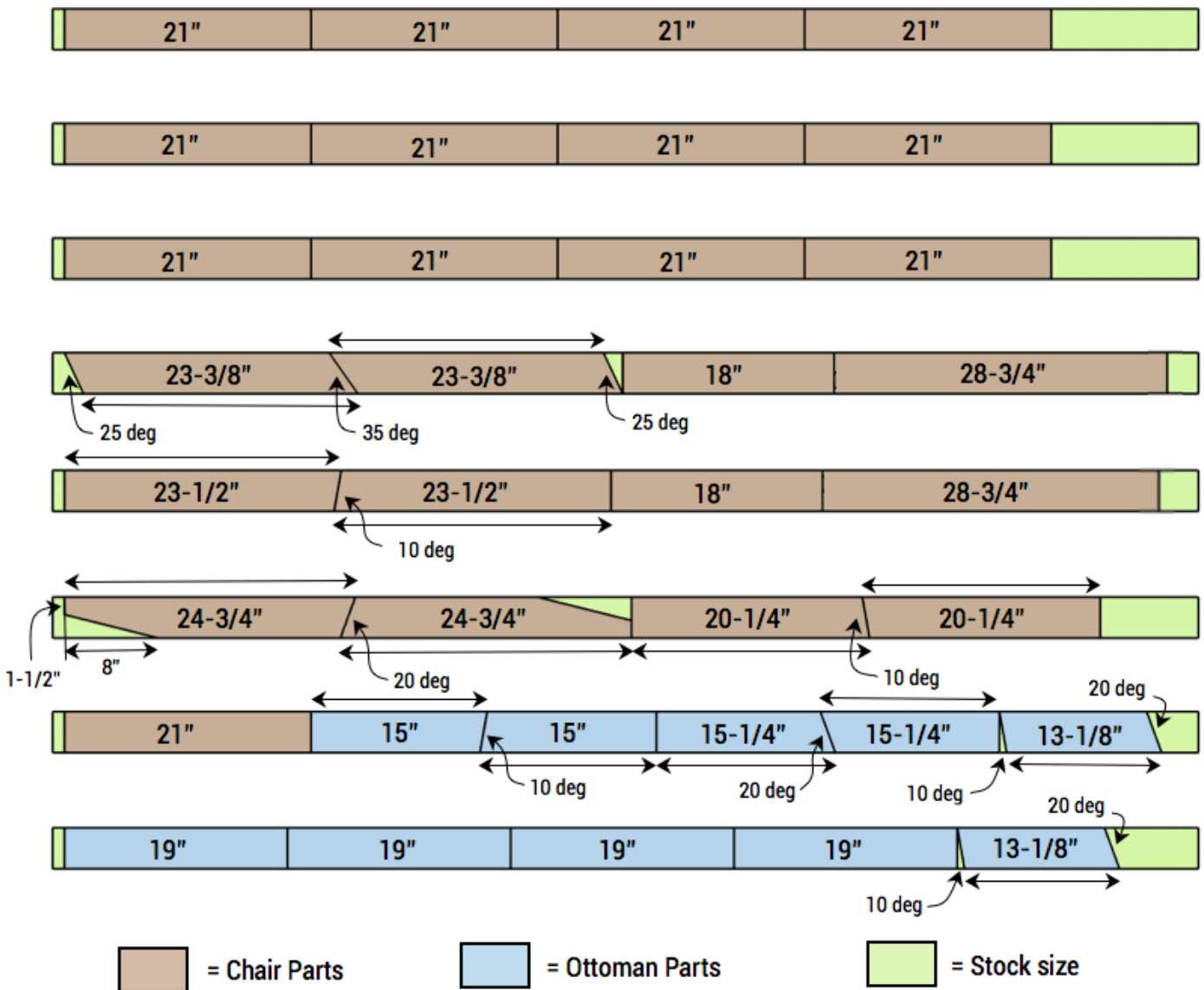
**RYOBI** NATION



Seat = 21" x 21"  
Back = 21" x 21"

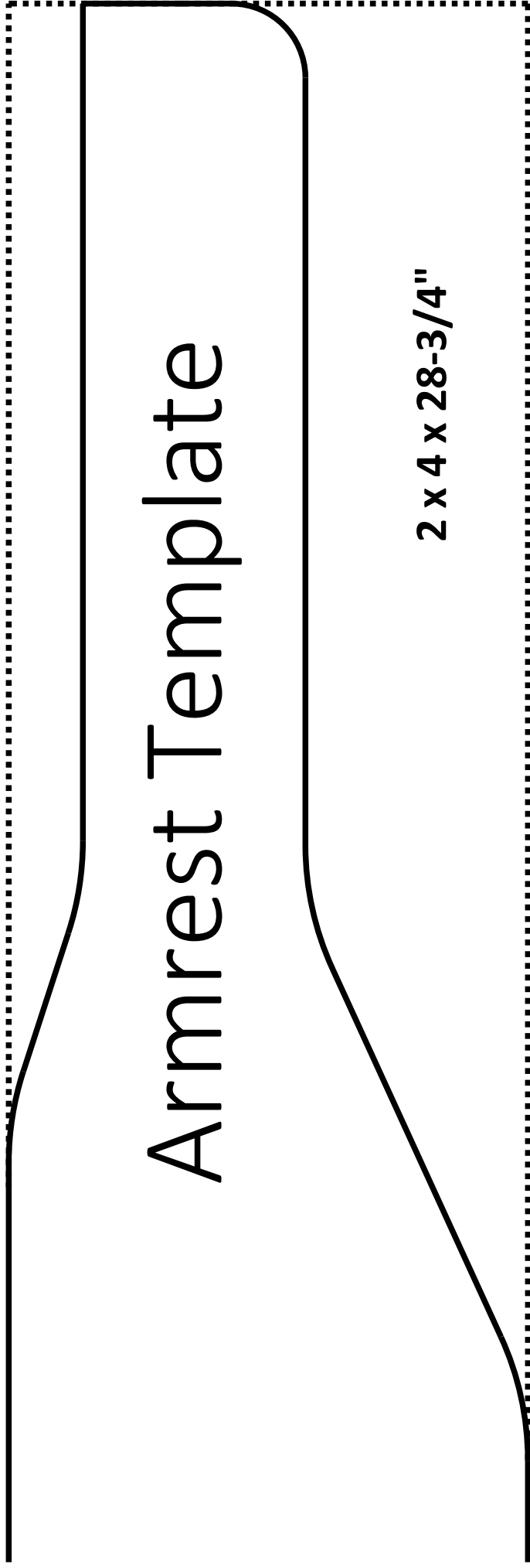
# Cut List

## 2 x 4 x 96" Premium Studs (Qty 8)

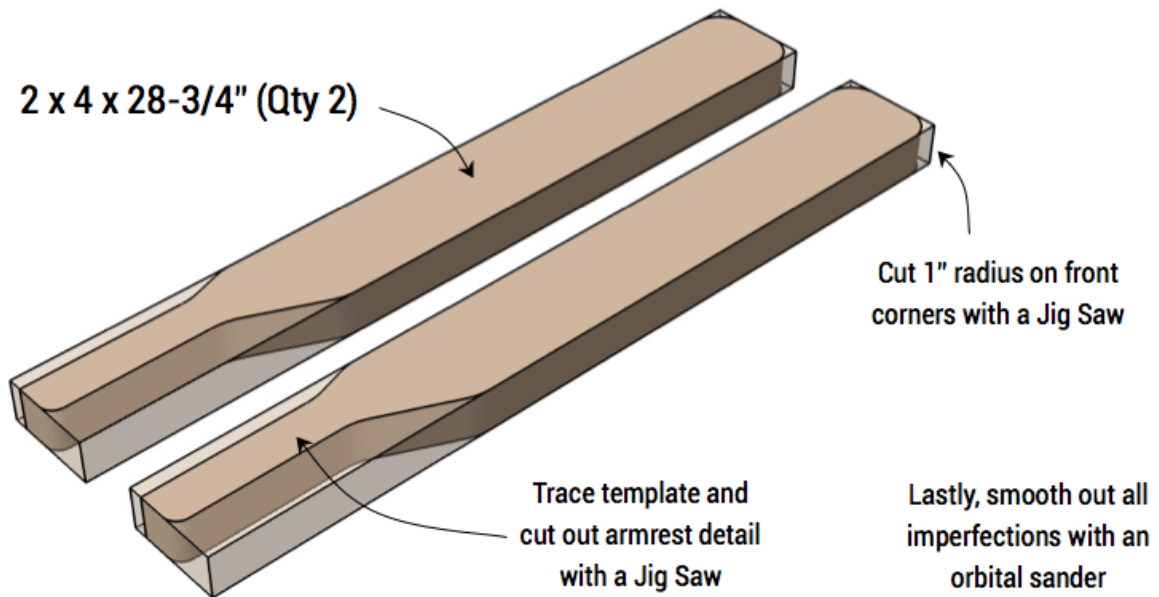


# Armrest Template

2 x 4 x 28-3/4"

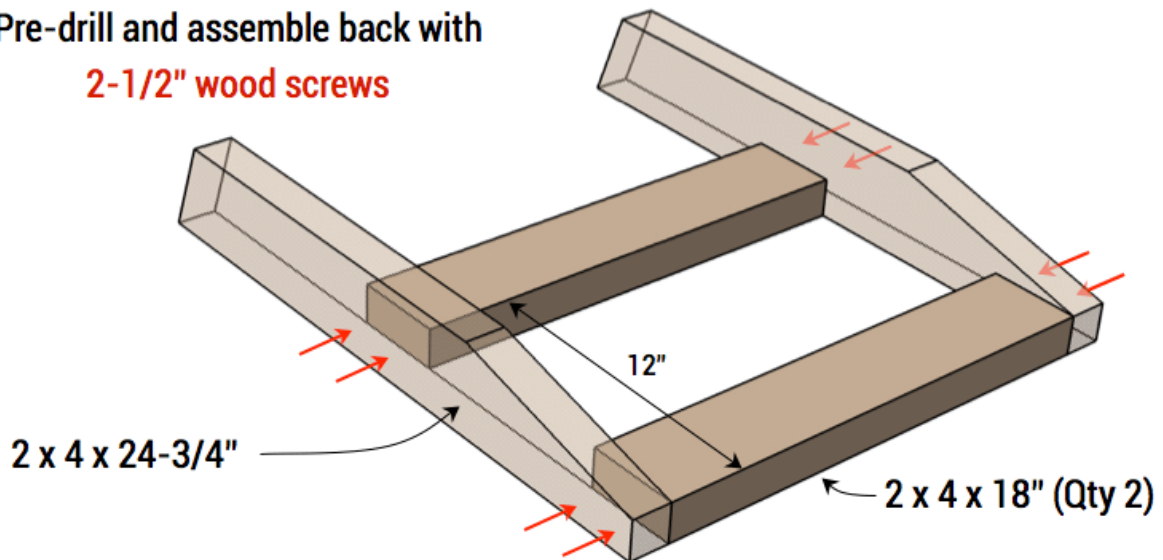


# Step 1: Armrests

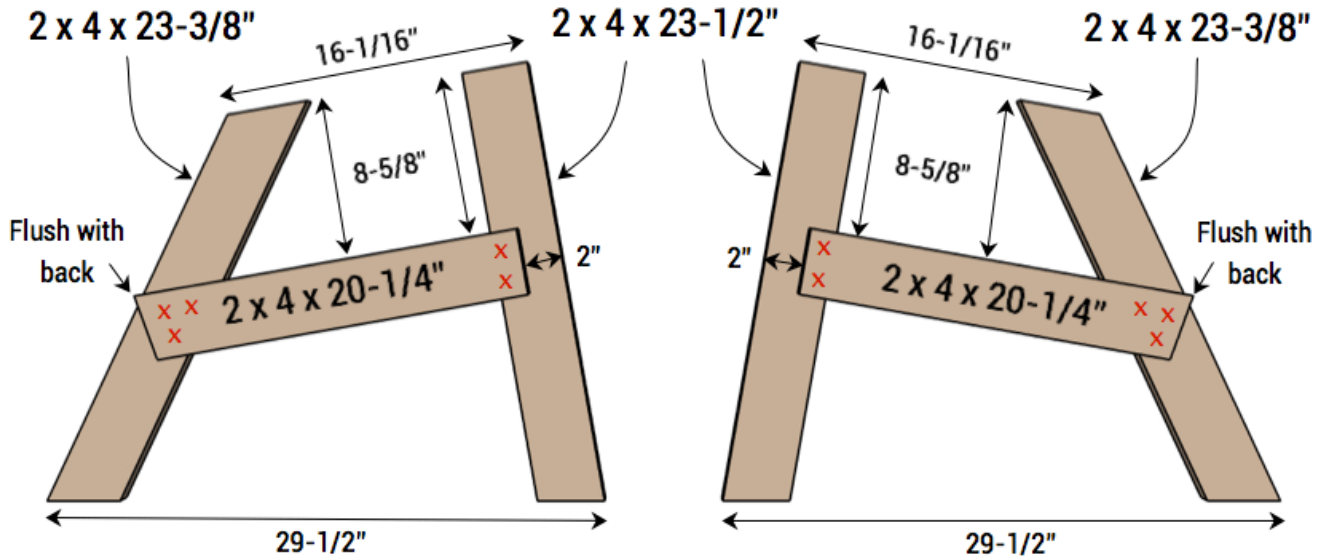


# Step 2: Chair Back

Pre-drill and assemble back with  
**2-1/2" wood screws**

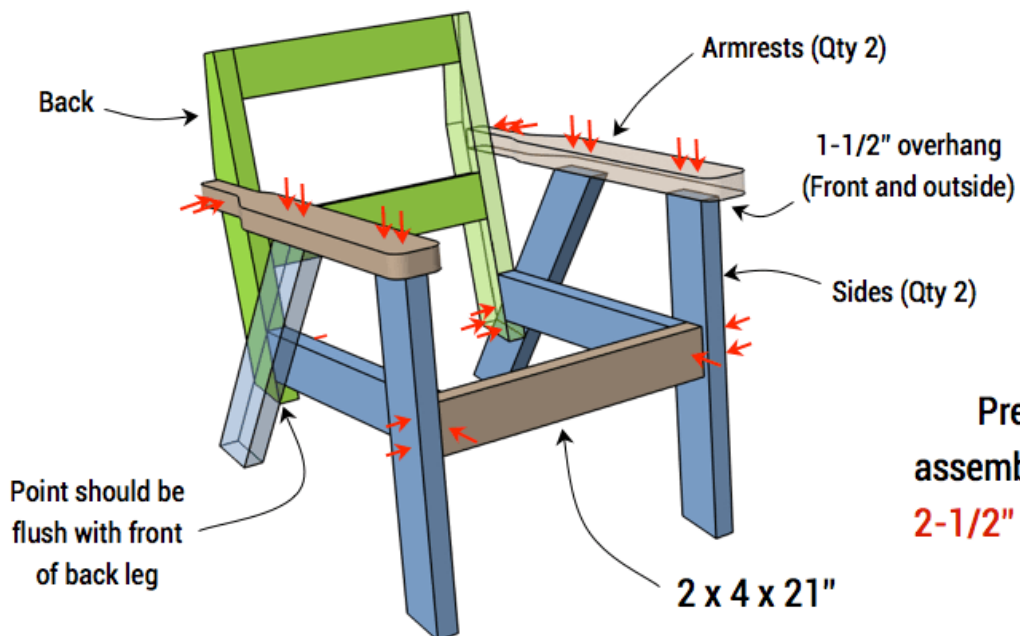


# Step 3: Chair Sides



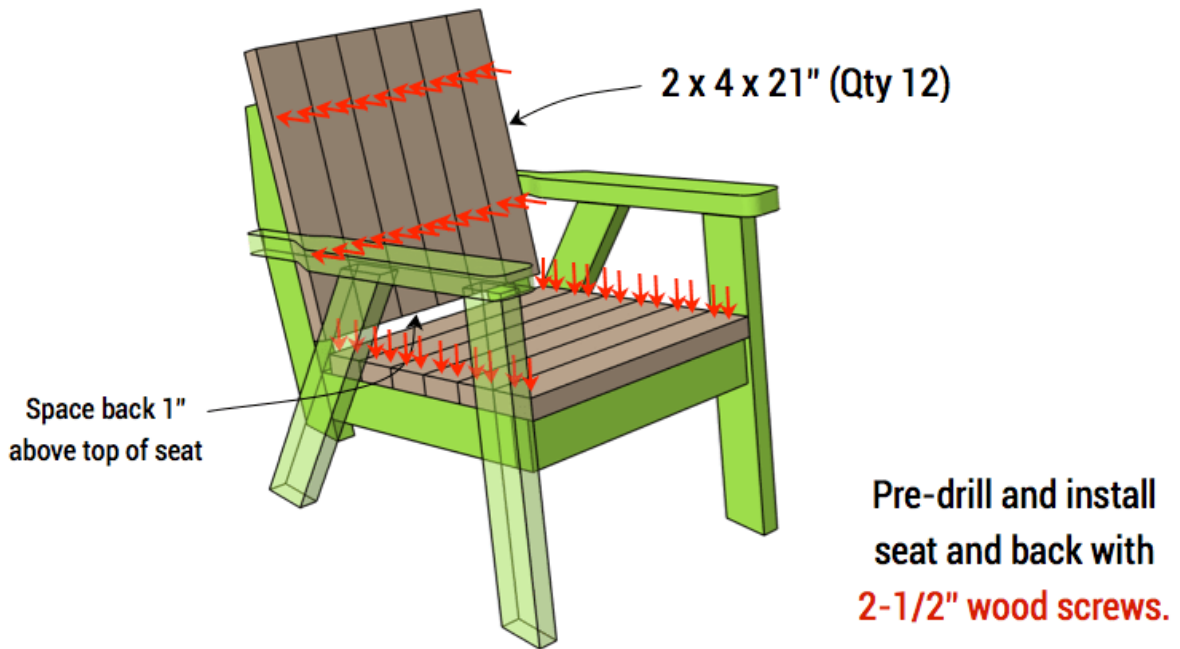
Pre-drill and assemble sides with **2-1/2" wood screws**

# Step 4: Chair Frame

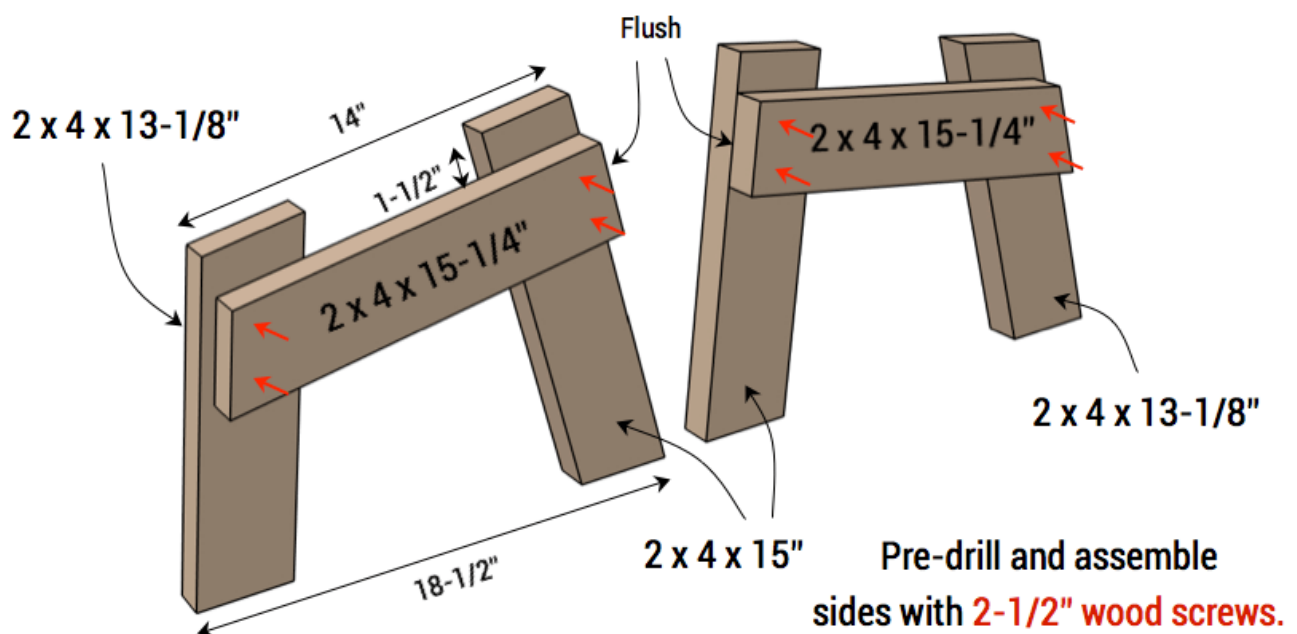


Pre-drill and assemble frame with **2-1/2" wood screws.**

# Step 5: Seat & Back



# Step 6: Ottoman Sides



# Step 7: Ottoman Assembly

