

---

# DIY Storage Bench For Under \$100

---

[Addicted2DIY.com](http://Addicted2DIY.com)



# Before beginning this project...

Please read through all of the plans as well as the blog post associated with this project . Always use safety precautions whenever using power tools and follow the manufacturer's suggested guidelines. Make sure to wear proper safety protection (eye protection, hearing protection, etc.) before beginning any project. Cut all pieces per the measurements in the plans, unless noted otherwise.

## Materials and Cut List:

### Materials Needed:

- 2 - 2x2 select pine @ 8' long
- 1 - 1x2 select pine @ 6' long
- 4 - 1x2 pine boards @ 8' long
- 4 - 1x3 pine boards @ 8' long
- 3 - 1x4 pine boards @ 8' long
- 1 - 1x8 pine board @ 8' long
- 1 1/4" pocket screws
- 1 1/4" wood screws
- 2 1/2" pocket screws
- 2" wood screws
- 1 1/4" brad nails
- 220 grit sandpaper
- Paint and Stain color of choice

### Cut List:

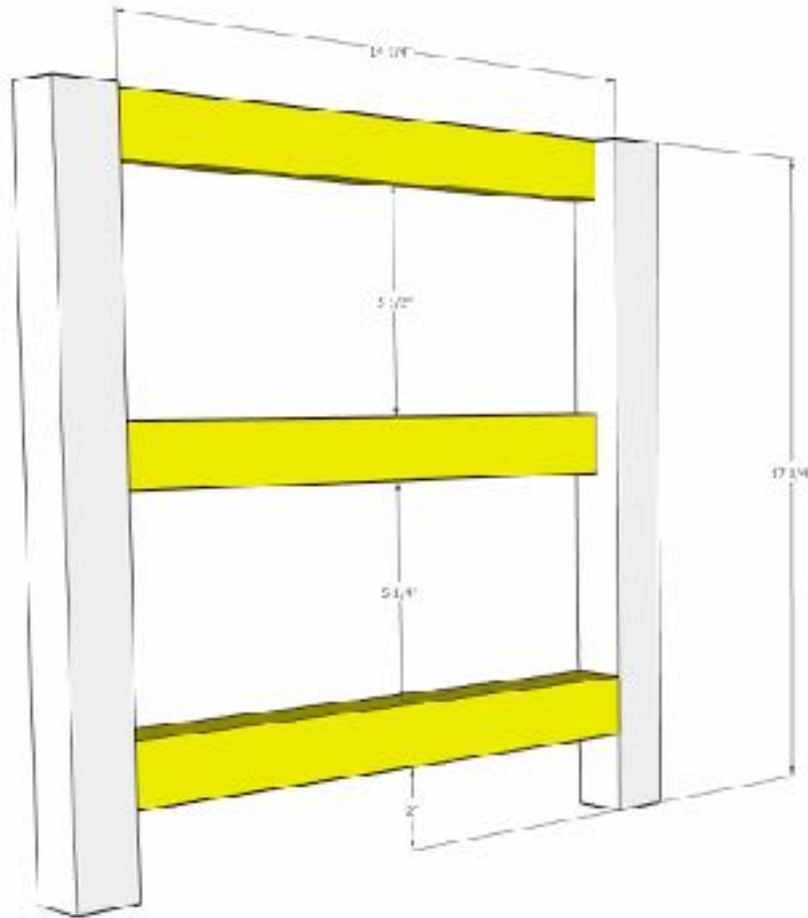
- 4 - 2x2 select pine @ 17 1/4" long
- 4 - 1x2 select pine @ 14 1/4" long
- 4 - 2x2 select pine @ 14 1/4" long
- 2 - 2x2 select pine @ 8 3/4" long
- 6 - 1x3 @ 40" long
- 3 - 1x4 @ 40" long
- 4 - 1x3 @ 14 1/4" long
- 2 - 1x4 @ 14 1/4" long
- 1 - 1x8 @ 40" long
- 3 - 1x4 @ 44" long
- 1 - 1x8 @ 44" long

7 - 1x2 @ 43" long

3 - 1x2 @ 15" long

# Step One:

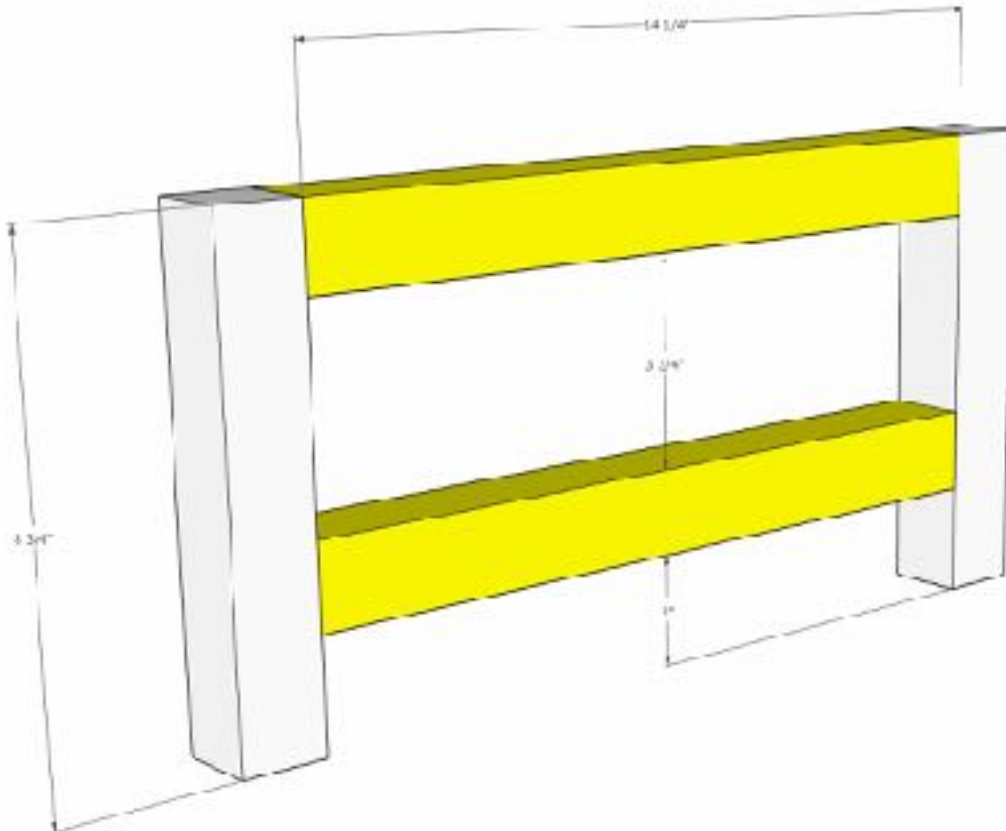
*Assemble the legs*



Build the legs for each end of the bench. Drill  $3/4$ " pocket holes into the 1x2 boards and  $1\ 1/2$ " pocket holes into the  $14\ 1/4$ " 2x2 boards. Apply wood glue to the ends of the 1x2 and 2x2 boards. Attach the 1x2 boards with  $1\ 1/4$ " pocket screws and the 2x2 boards with  $2\ 1/2$ " pocket screws, following the spacing diagram above.

# Step Two:

*Assemble the center leg frame*

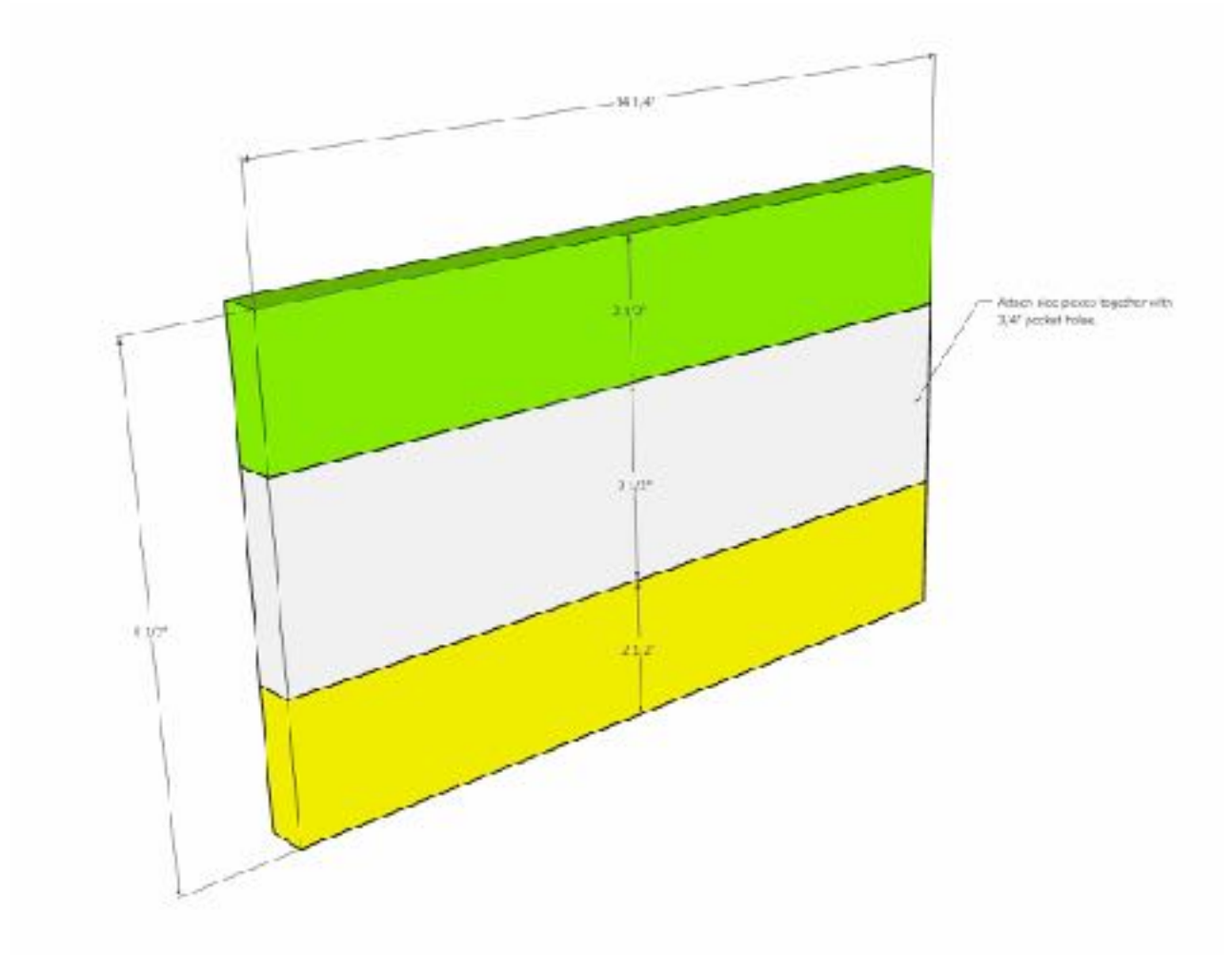


Drill 1 1/2" pocket holes into the ends of the 14 1/4" 2x2 boards. Apply wood glue to the ends and clamp in place following the spacing in the diagram above. Attach with 2 1/2" pocket screws.

**\*Sand all of the assembled leg pieces and paint.**

# Step Three:

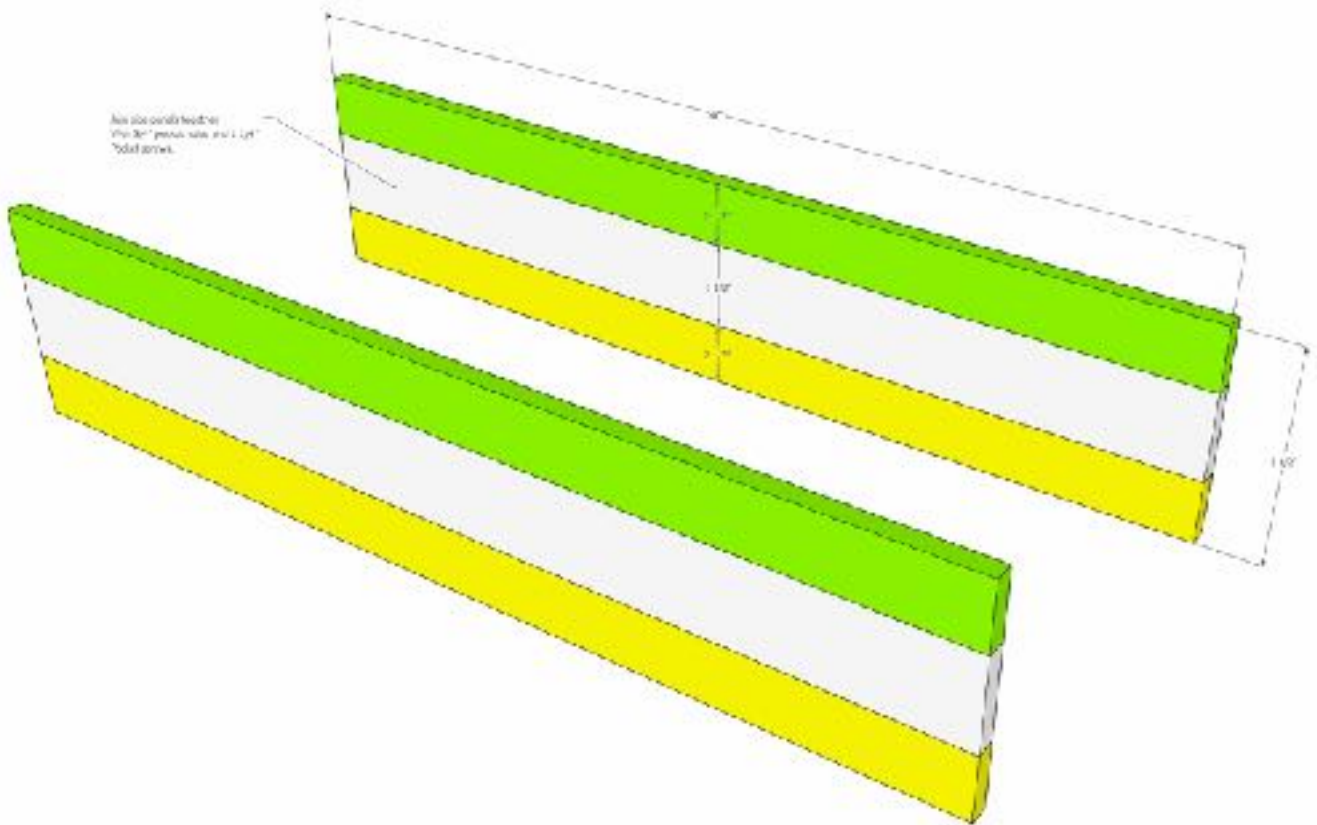
*Assemble the side panels*



Drill 3/4" pocket holes into one edge of each of the 1x3 boards, both edges of the 1x4 boards, and each end of all of the boards. Attach the boards with wood glue and 1 1/4" pocket screws.

# Step Four:

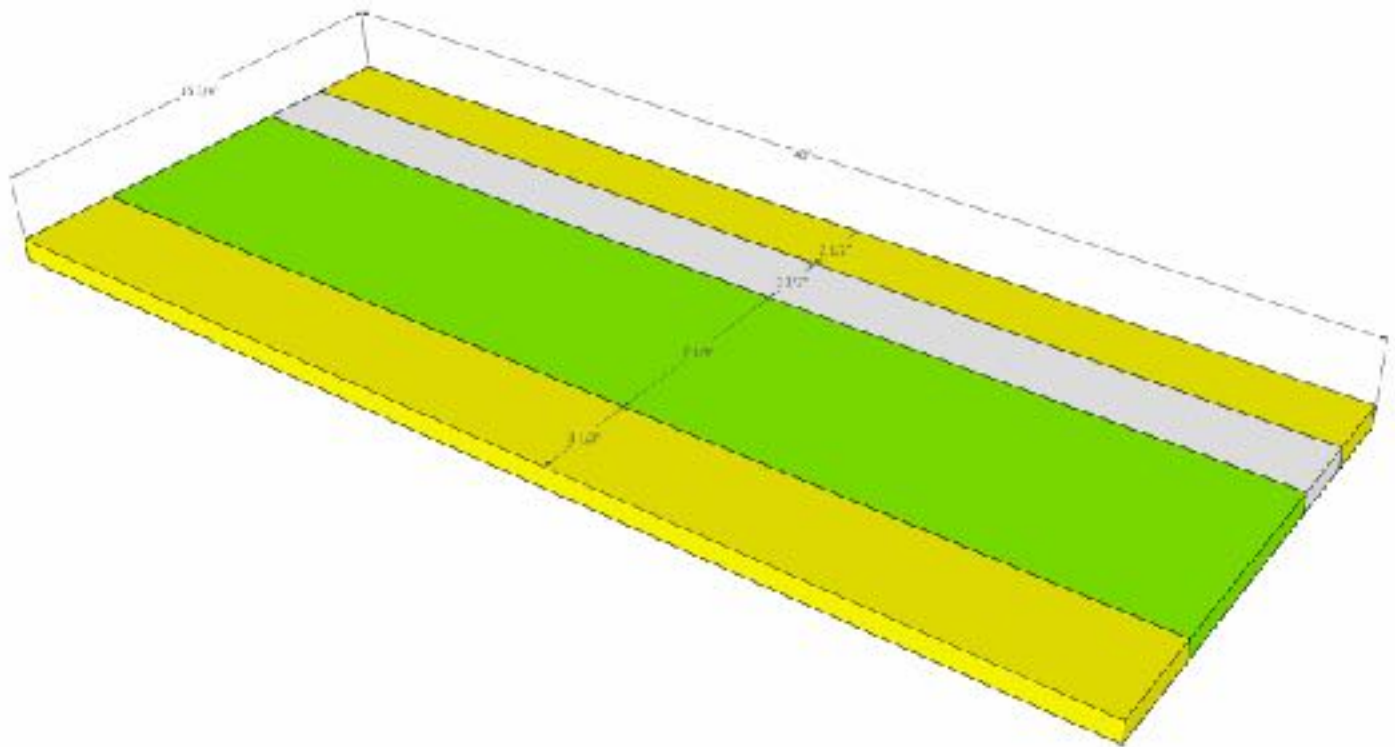
*Assemble the front and back panels*



Drill 3/4\" pocket holes into one edge of each of the 1x3 boards and both edges of the 1x4 boards. Also drill 3/4\" pocket holes into each end of all of the boards. Attach the panels with wood glue and 1 1/4\" pocket screws.

# Step Five:

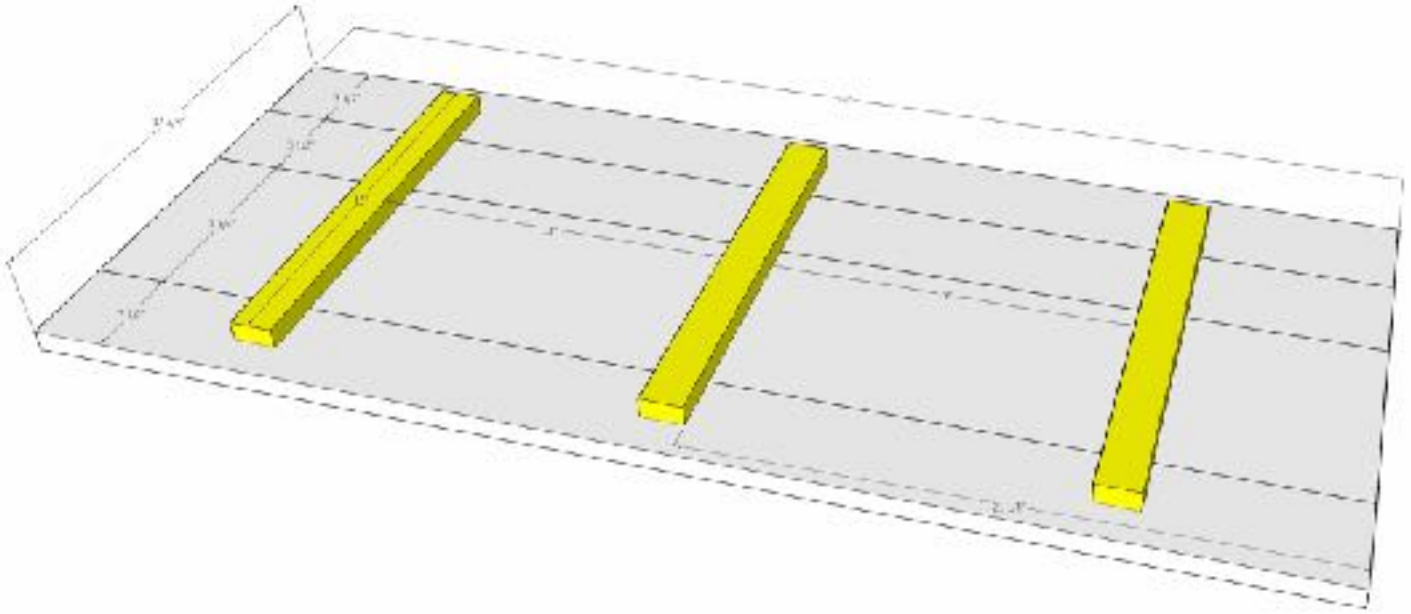
*Assemble the bottom panel*



Drill 3/4" pocket holes into each end and edge of all of the boards that make up the bottom panel. Glue up and clamp the edges of the boards and attach with 3/4" pocket screws.

# Step Six:

*Assemble the top/lid*



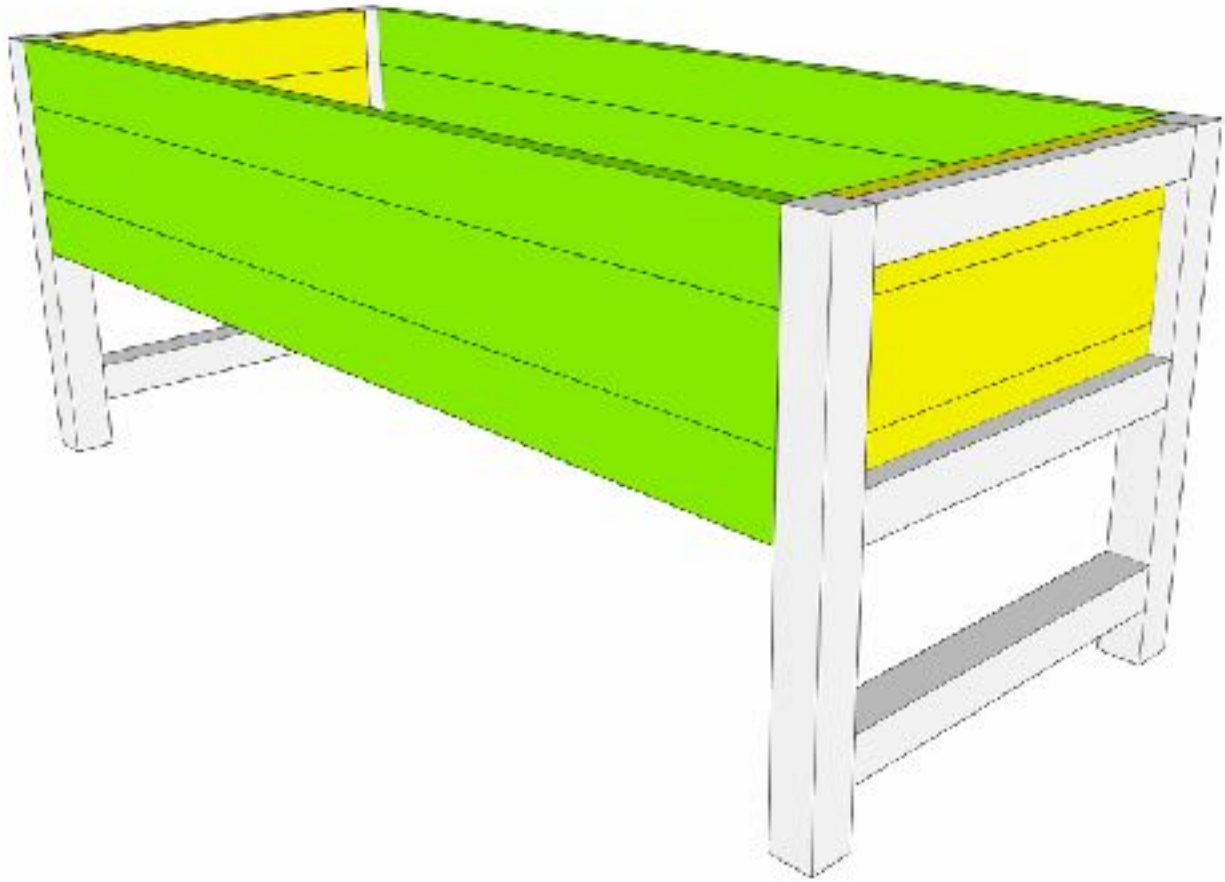
Glue up the edges of the boards that make up the lid and clamp together. Apply glue to 1x2 boards and evenly space on the lid, leaving  $1 \frac{3}{8}$ " spacing on each end of the 1x2s and spacing them 13" apart. Attach to the lid with  $1 \frac{1}{4}$ " wood screws.

**\*Stain and finish all of the panels, lid, and 1x2 boards that make up the bottom shelf of the bench.**



# Step Seven:

*Assemble the ends and front/back panels*

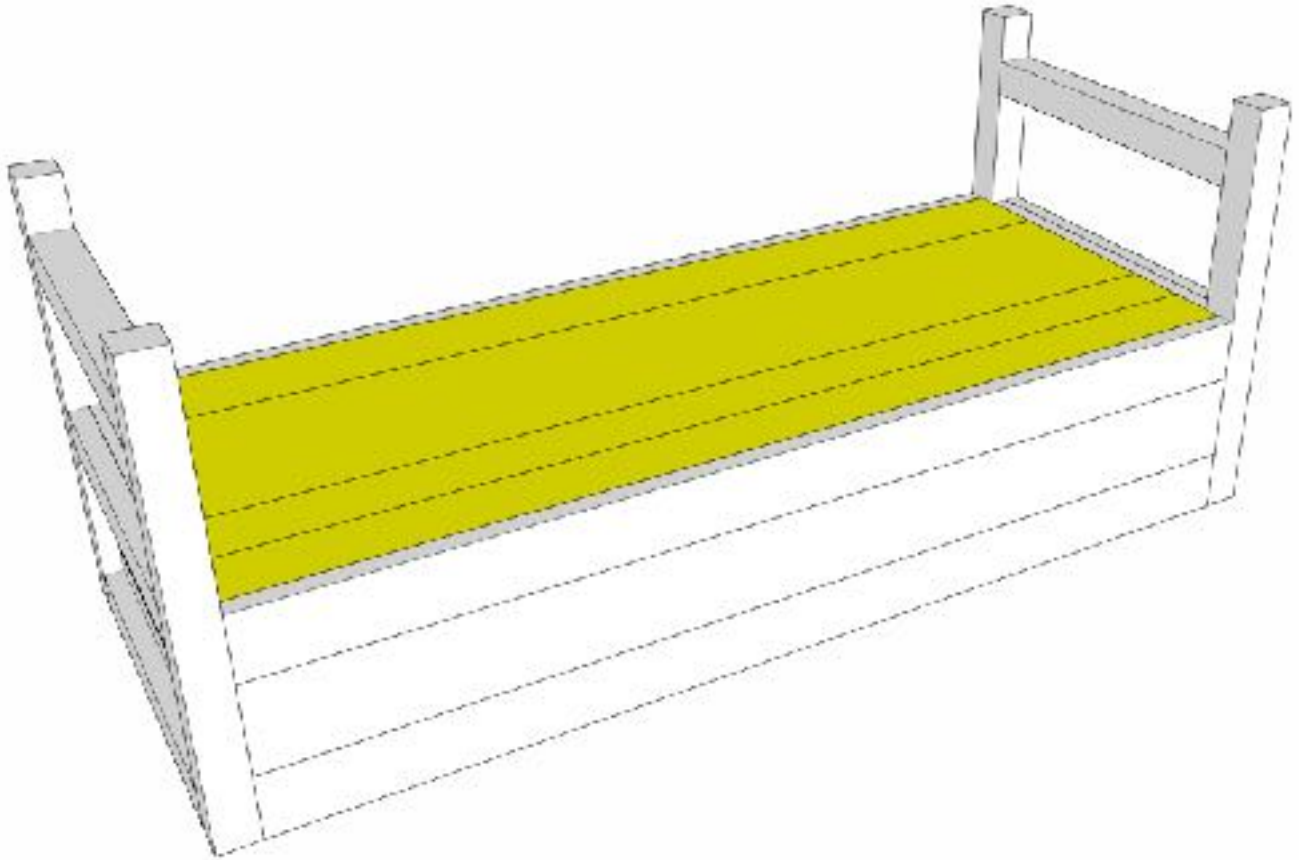


Attach the ends of the panels to the legs using the predrilled pocket holes and 1 1/4" pocket screws.

Clamp the front and back panels, then attach with 1 1/4" pocket screws.

# Step Eight:

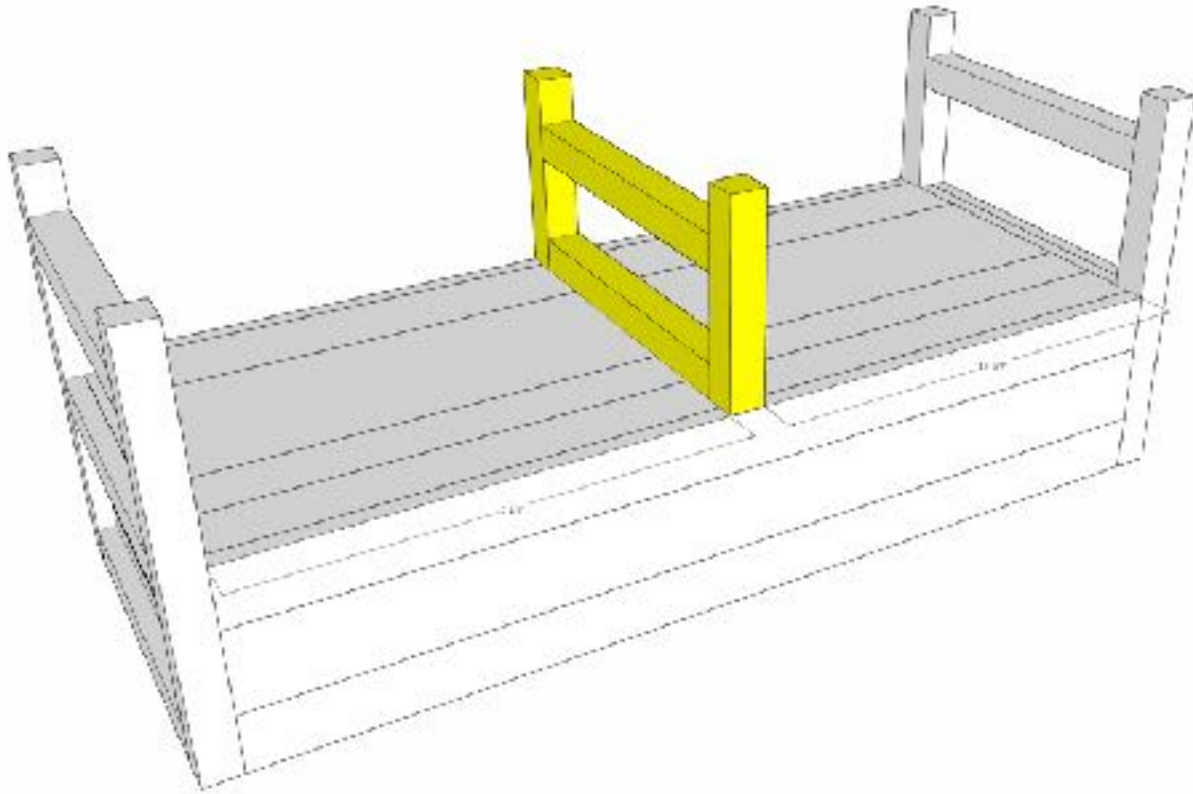
*Attach the bottom panel*



Flip the bench over onto its top. Set the bottom panel in place so that it is inset and flush with the bottom edge of the side panels. Clamp in place and attach on all four sides with 1 1/4" pocket screws.

# Step Nine:

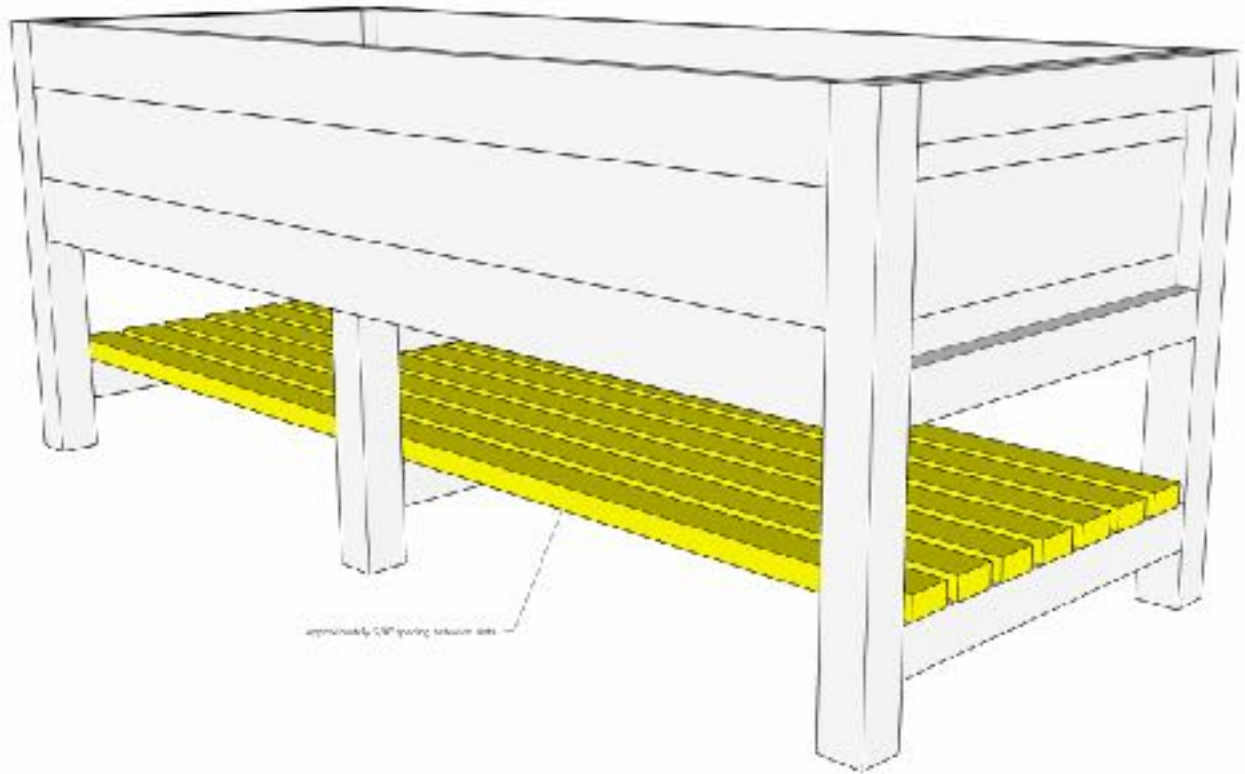
*Attach the center legs*



Mark the location of the center legs, based on the diagram above. Glue and clamp the legs in place, then flip the bench over. Mark the center location of the legs from the inside of the bench (20"). Drill 2" screws through the bottom panel into the legs to secure them to the bench.

# Step 10:

*Attach the 1x2 boards for the shelf*



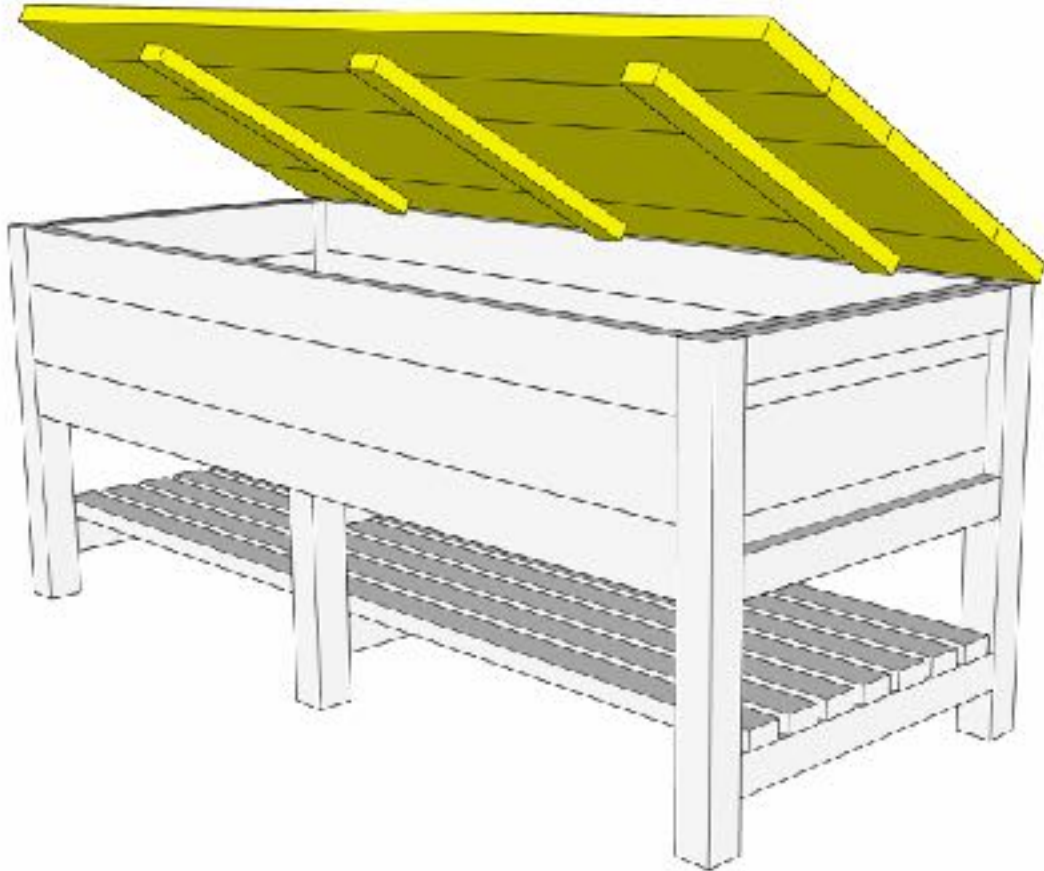
To attach the 1x2 boards on the bottom, begin by attaching the boards flush against the front and back legs of the bench. Apply a dot of glue at each of the contact points for the boards and nail into place on each end with 1 1/4\" brad nails.

Once the front and back boards are in place, evenly space the remaining boards between them (approximately 5/8\" spacing). Glue and nail in place on each end.

Once the boards are in place, flip the bench over and drill 2\" screws into the underside of the middle leg support to secure them in place in the middle.

# Step 11:

*Attach the lid*



Attach the lid with 2 1/2" hinges. The hinges can be attached directly to the top edge of the rear panel, or a chisel can be used to carve a mortise into the edge to allow the lid to sit more flush against the rear edge of the bench. Measure and mark 6" in from each end of the bench for hinge placement.

# Dimensions:

