



PLANS BY ROGUE ENGINEER

PLANTER COFFEE TABLE



TOTAL DIMENSIONS: 48" X 24" X 16"
DIFFICULTY LEVEL: BEGINNER

TOOLS

REQUIRED

Drill / Driver
Circular Saw
Jig Saw

OPTIONAL

Brad Nailer

ADDITIONAL REQUIRED ITEMS

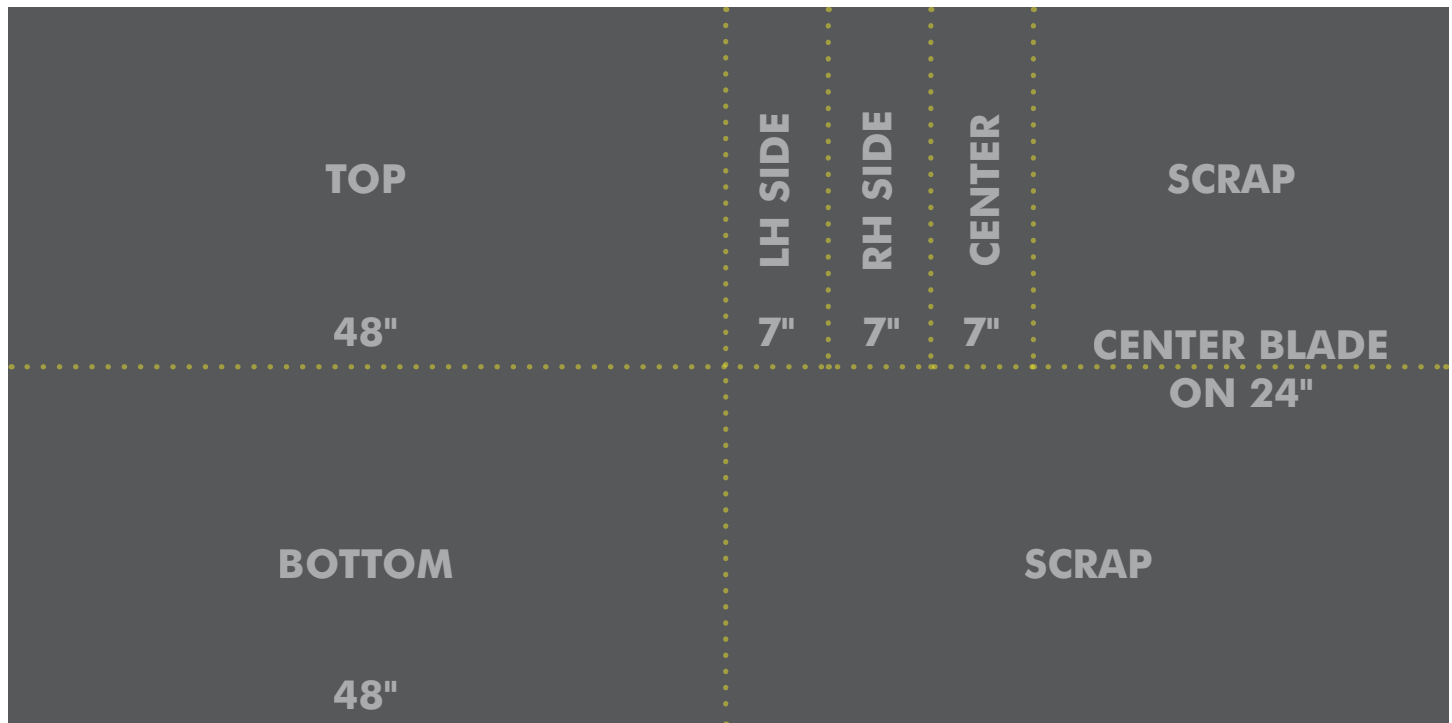
Tape Measure
Pencil
Iron
Nail and String
Safety Glasses
Hearing Protection
7/64" Drill Bit (optional, if not utilizing Brad Nailer)

PURCHASE LIST:

(1) 3/4" x 4' x 8' Hardwood Plywood
(4) 7.5 in. Wood Round Taper Table Leg
(4) Silver Dual Top Plate
Iron-On Edge Banding
1-1/4" Wood Screws
3/4" Wood Screws
1-1/4" Brad Nails
Wood Glue
Primer, Paint and/or Stain
Sand Paper (optional)

LUMBER CUT LIST:

3/4" X 4' X 8' HARDWOOD PLYWOOD



HELPFUL HINT

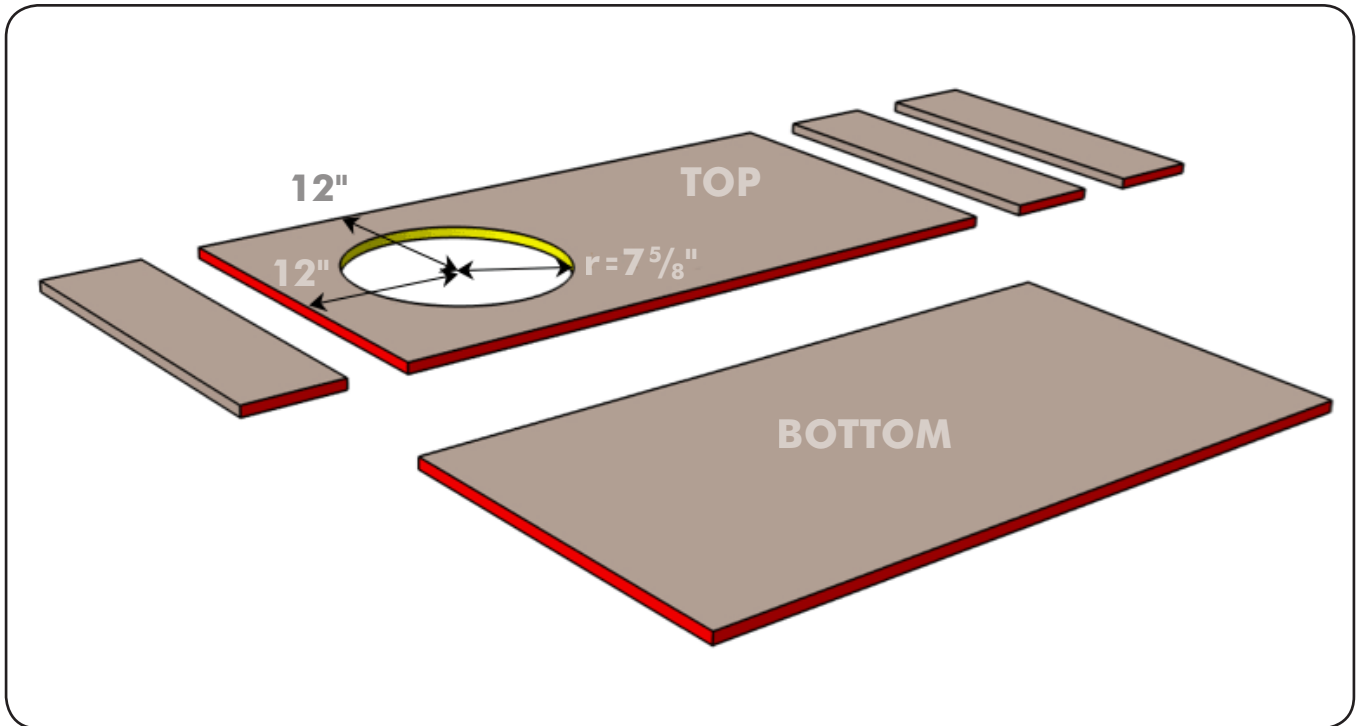
To maintain grain lines and direction from top to sides, mark top side of the LH Side, Top and RH Side.

ASSEMBLY:

1

EDGE BAND & CUT HOLE

Iron on edge banding, all sides of top and bottom and short sides of smaller boards.

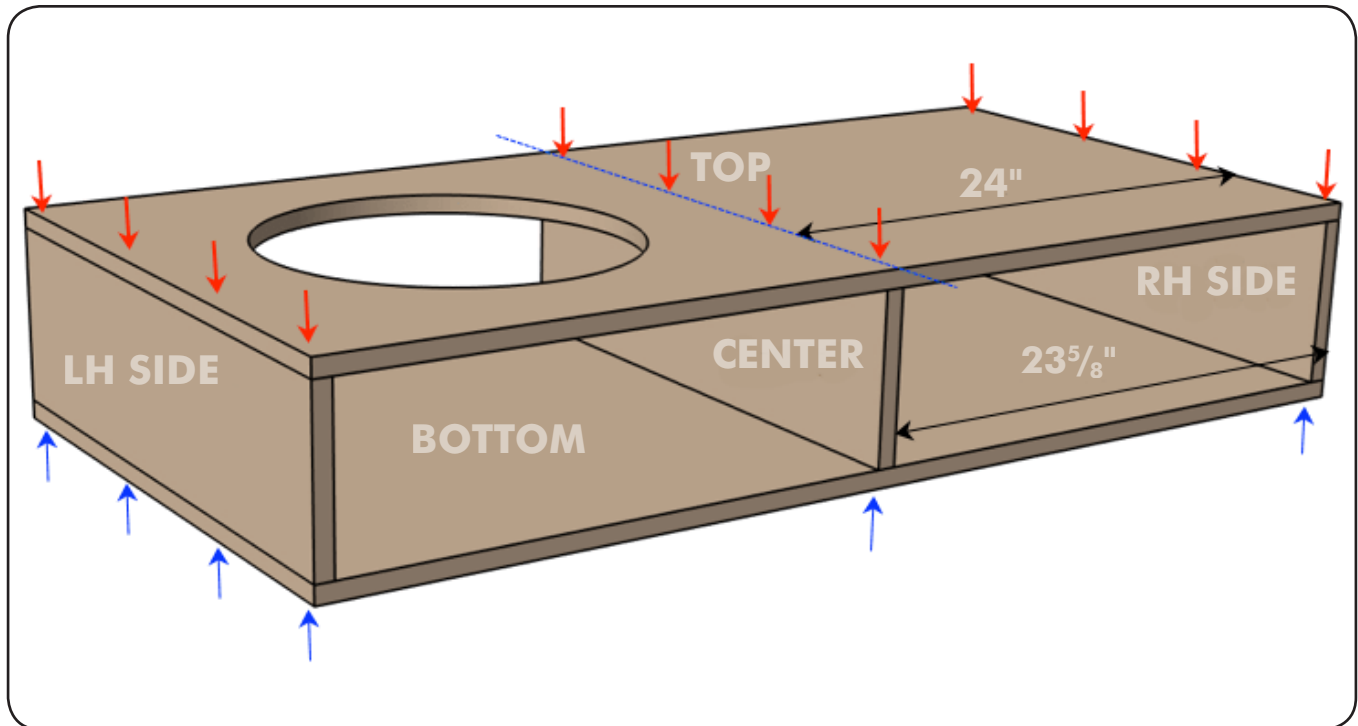


Place a nail or screw at center of circle. Then, string and pencil draw a $15\frac{1}{4}$ " diameter circle ($7\frac{5}{8}$ " radius). Then, drill a large hole within that circle and cut off with a jig saw.

2

ASSEMBLE BOX

Mark a line with a pencil center of center divider to assure nails are placed properly.



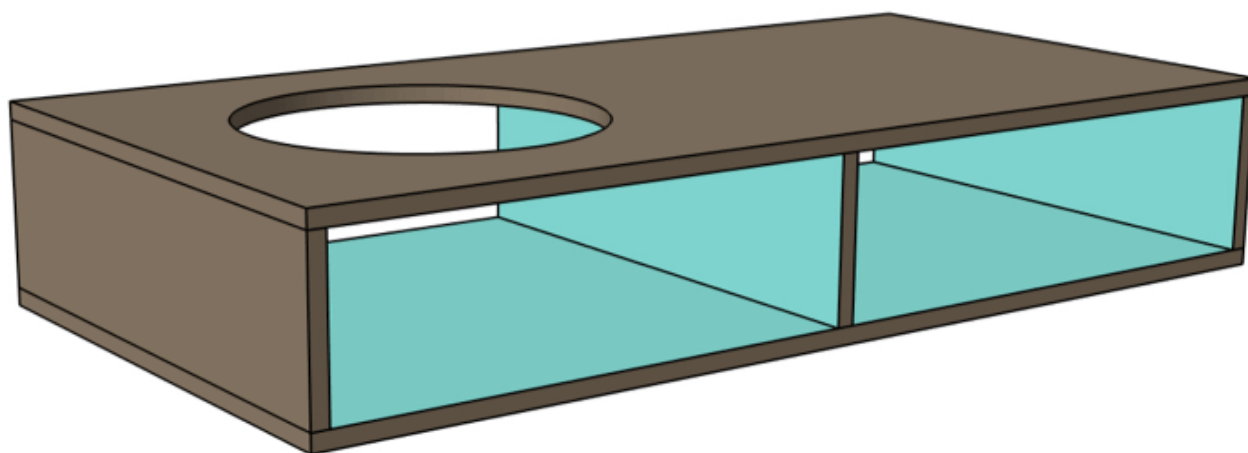
Assemble box using wood glue and 1-1/4" screws (pre-drill holes using 7/64" drill bit) or use **brad nails** (not all shown).

3

FINISHING

Sand out any rough spots or edges before painting/staining

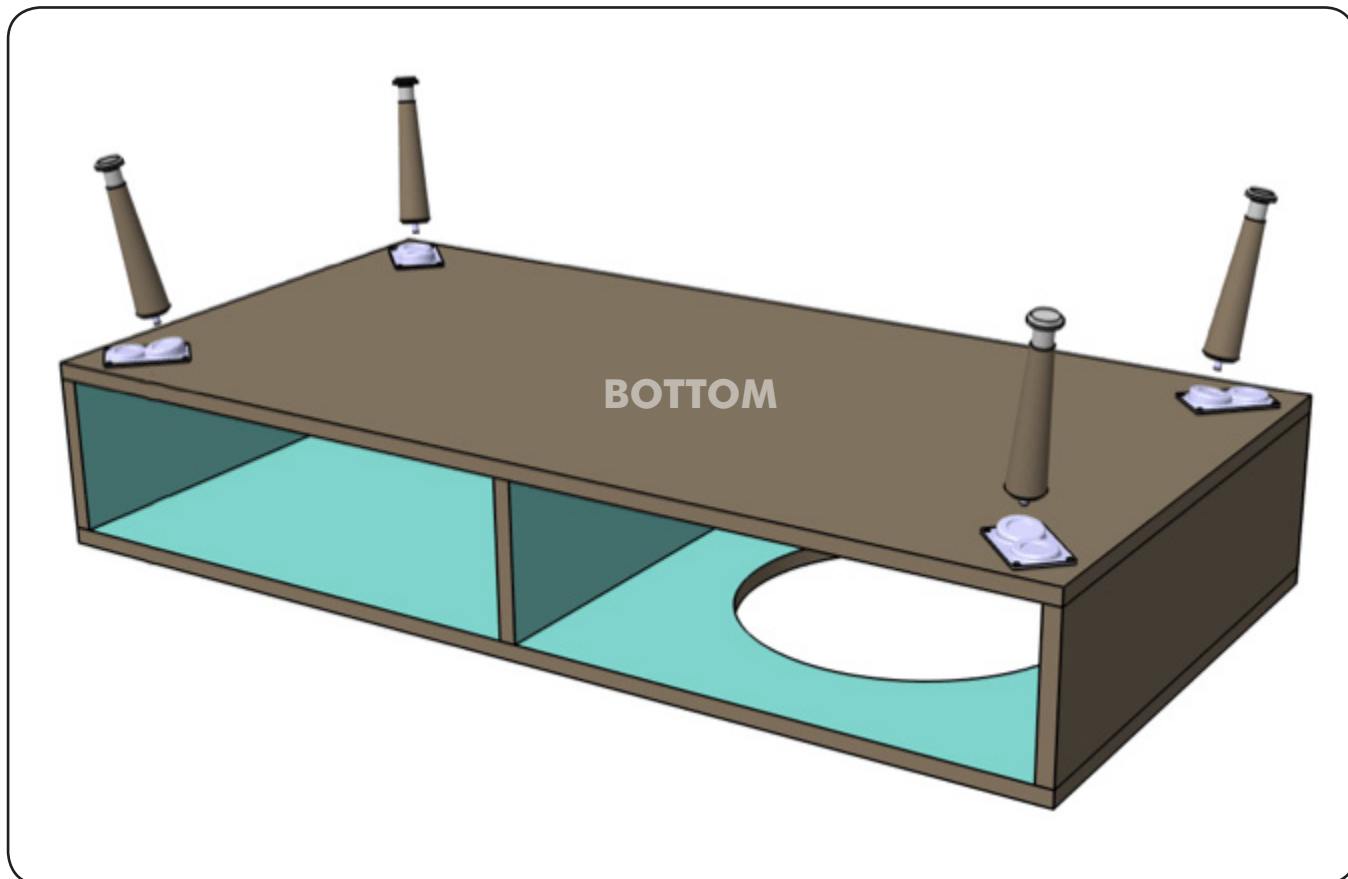
Finish box and legs as desired with primer & paint, stain, or a combination of the two!



4

INSTALL TOP PLATE & LEGS

Locate dual top plate, 45 degrees and corners 3/4" from edges and install using 3/4" wood screws.



Install 7-1/2" tapered legs on top plate as desired (straight or angled).